

REFER TO CONTRACT DOCUMENTS FOR  
EXACT CONSTRUCTION DETAILS

ACM PANEL BY MDS

SHIM AND APPROVED FASTENER BY  
INSTALLER (SIZE, TYPE AND QUANTITY  
TO BE APPROPRIATE FOR CONDITIONS)

#3004 EXTRUSION BY MDS

SEALANT BY INSTALLER

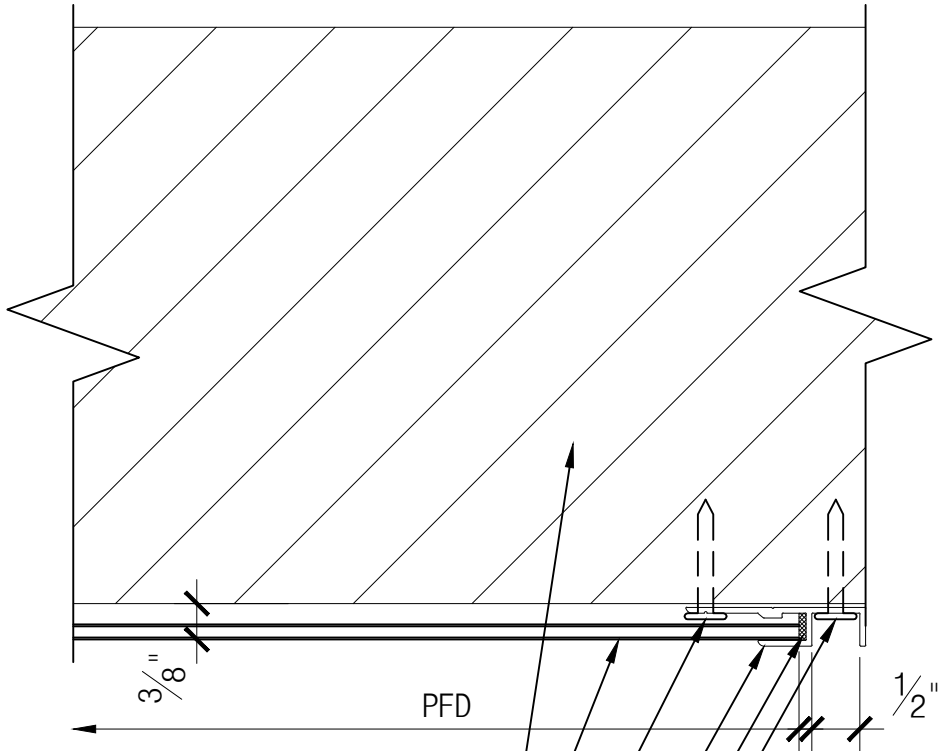
**NOTE:**  
AIR/MOISTURE BARRIER  
INSTALLER MUST PROVIDE  
WEATHER TIGHT SEAL AT  
ALL BARRIER TERMINATIONS

THE INFORMATION CONTAINED IN THIS  
DRAWING IS THE SOLE PROPERTY OF  
METAL DESIGN SYSTEMS. ANY  
REPRODUCTION, IN PART OR WHOLE,  
WITHOUT THE WRITTEN PERMISSION OF  
METAL DESIGN SYSTEMS IS PROHIBITED.




**METAL DESIGN SYSTEMS**  
4150 C Street S.W.  
CEDAR RAPIDS, IA. 52404  
Ph. (319) 362-7454

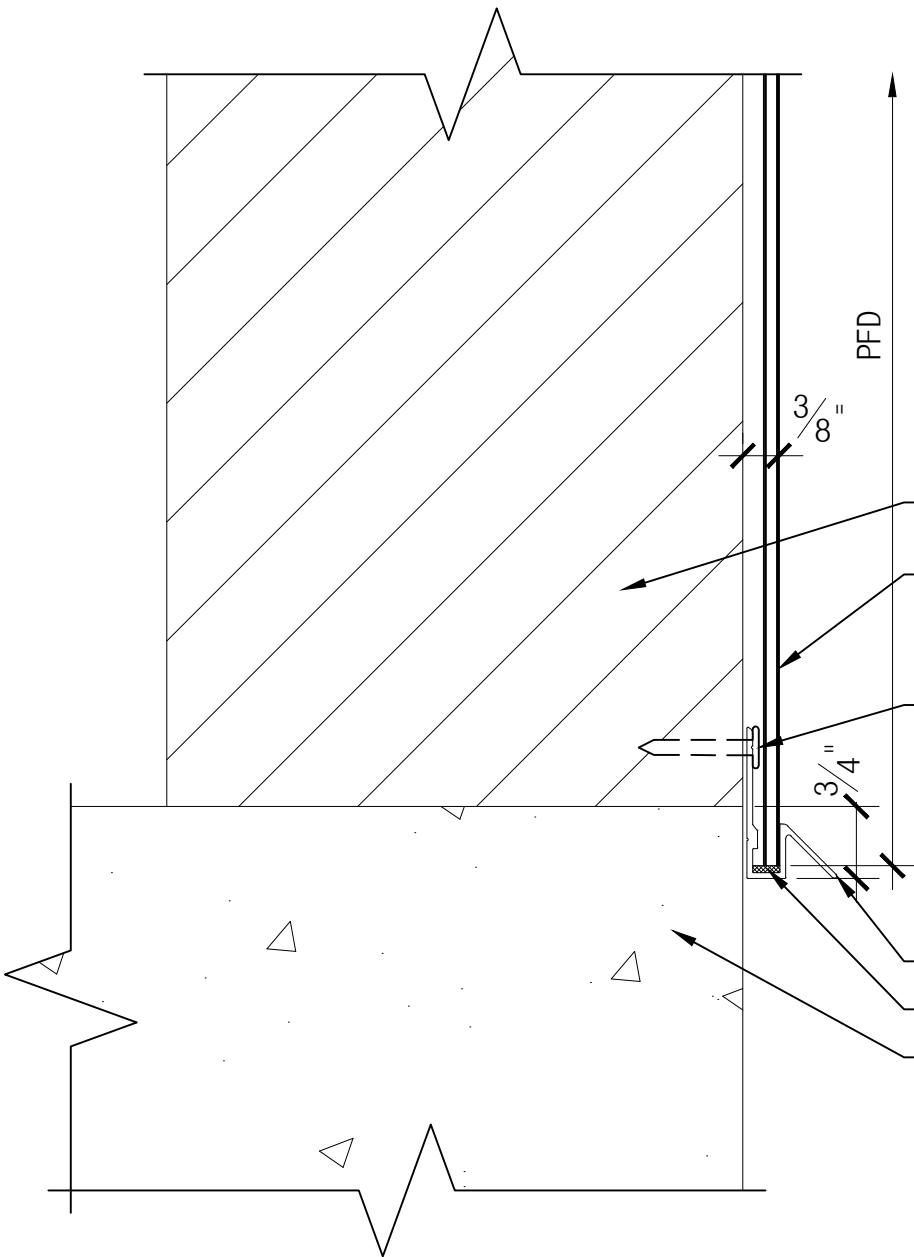
PROJECT <b>SERIES 30 DETAILS</b>		
DRAWING DESCRIPTION <b>#3004 TERMINATION DETAIL</b>		
PROJECT NUMBER	DRAWING NUMBER <b>S30-ACM-01A</b>	DATE <b>6.02.14</b>
MATERIAL	SCALE <b>6" = 1'-0"</b>	DRAWN BY



- REFER TO CONTRACT DOCUMENTS FOR EXACT CONSTRUCTION DETAILS
- ACM PANEL BY MDS
- SHIM AND APPROVED FASTENER BY INSTALLER (SIZE, TYPE AND QUANTITY TO BE APPROPRIATE FOR CONDITIONS)
- #3041 EXTRUSION BY MDS
- SEALANT BY INSTALLER
- ALTERNATE FASTENER LOCATION

**NOTE:**  
 AIR/MOISTURE BARRIER  
 INSTALLER MUST PROVIDE  
 WEATHER TIGHT SEAL AT  
 ALL BARRIER TERMINATIONS

THE INFORMATION CONTAINED IN THIS DRAWING IS THE SOLE PROPERTY OF METAL DESIGN SYSTEMS. ANY REPRODUCTION, IN PART OR WHOLE, WITHOUT THE WRITTEN PERMISSION OF METAL DESIGN SYSTEMS IS PROHIBITED.	 <b>METAL DESIGN SYSTEMS</b> DESIGNED FOR A PERFECT FIT.	<b>METAL DESIGN SYSTEMS</b> 4150 C Street S.W. CEDAR RAPIDS, IA. 52404 Ph. (319) 362-7454	PROJECT <b>SERIES 30 DETAILS</b>			
		DRAWING DESCRIPTION <b>#3041 TERMINATION DETAIL</b>				
		PROJECT NUMBER		DRAWING NUMBER <b>S30-ACM-01B</b>		DATE <b>6.02.14</b>
MATERIAL		SCALE <b>6" = 1'-0"</b>		DRAWN BY		



REFER TO CONTRACT DOCUMENTS FOR EXACT CONSTRUCTION DETAILS

ACM PANEL BY MDS

SHIM AND APPROVED FASTENER BY INSTALLER (SIZE, TYPE AND QUANTITY TO BE APPROPRIATE FOR CONDITIONS)

#3004D EXTRUSION BY MDS

SEALANT BY INSTALLER

FOUNDATION

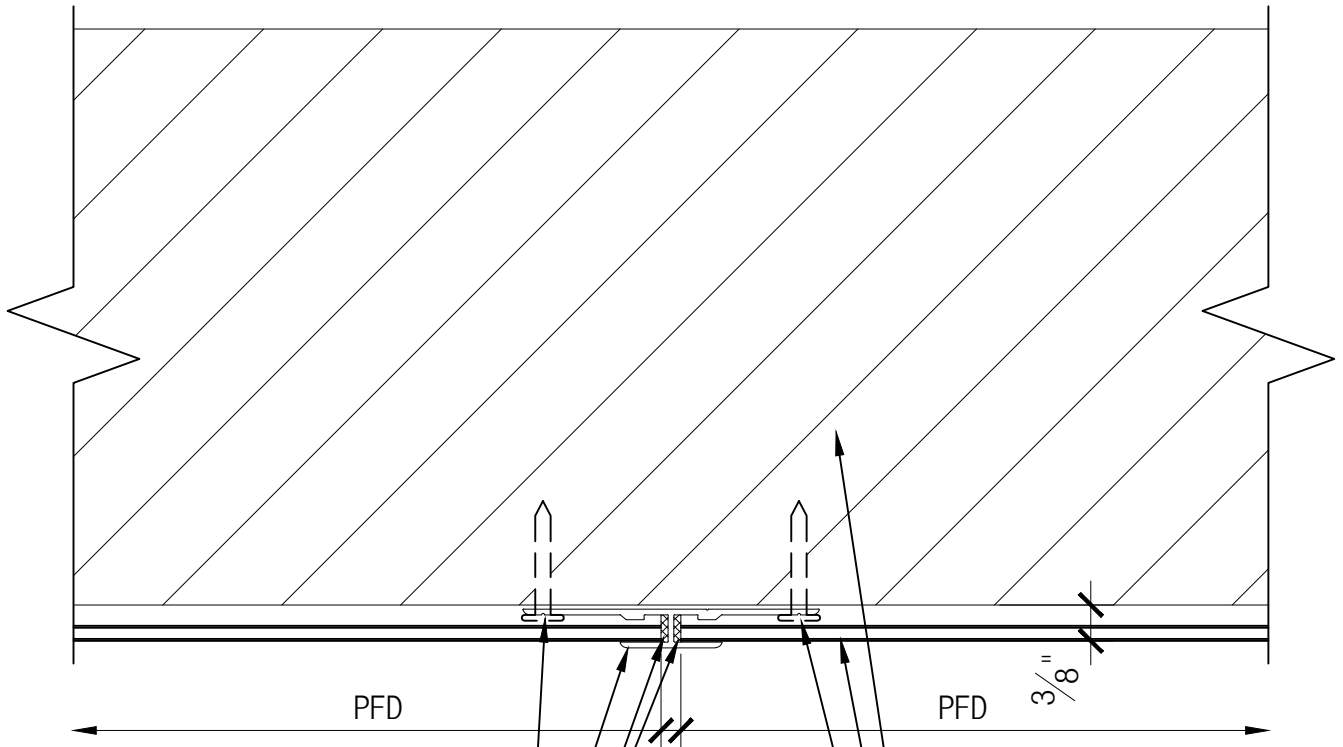
**NOTE:**  
AIR/MOISTURE BARRIER  
INSTALLER MUST PROVIDE  
WEATHER TIGHT SEAL AT  
ALL BARRIER TERMINATIONS

THE INFORMATION CONTAINED IN THIS DRAWING IS THE SOLE PROPERTY OF METAL DESIGN SYSTEMS. ANY REPRODUCTION, IN PART OR WHOLE, WITHOUT THE WRITTEN PERMISSION OF METAL DESIGN SYSTEMS IS PROHIBITED.



**METAL DESIGN SYSTEMS**  
4150 C Street S.W.  
CEDAR RAPIDS, IA. 52404  
Ph. (319) 362-7454

PROJECT <b>SERIES 30 DETAILS</b>		
DRAWING DESCRIPTION <b>FOUNDATION TERM. DETAIL (TYPICAL)</b>		
PROJECT NUMBER	DRAWING NUMBER <b>S30-ACM-02</b>	DATE <b>6.02.14</b>
MATERIAL	SCALE <b>6" = 1'-0"</b>	DRAWN BY

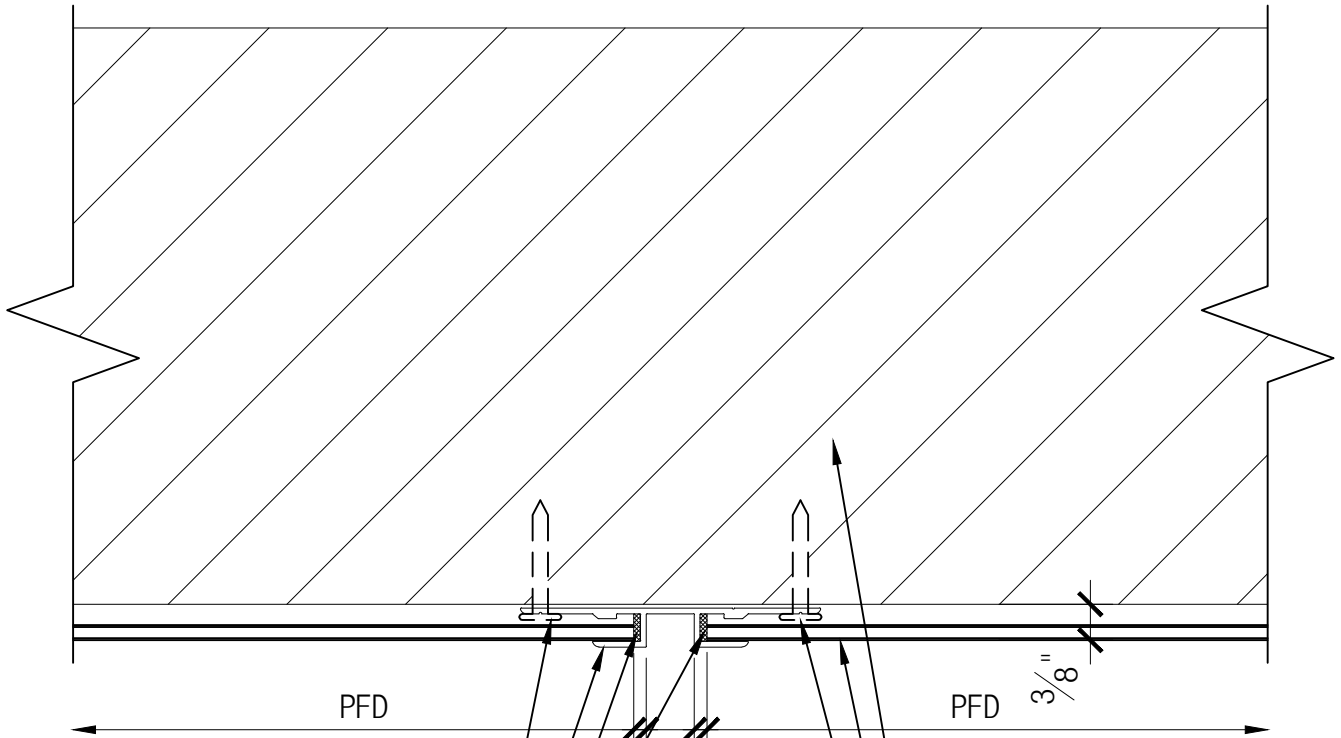


SHIM AND APPROVED FASTENER BY  
 INSTALLER (SIZE, TYPE AND  
 QUANTITY TO BE APPROPRIATE FOR  
 CONDITIONS)  
 #3001 EXTRUSION BY MDS  
 SEALANT BY INSTALLER

REFER TO CONTRACT  
 DOCUMENTS FOR EXACT  
 CONSTRUCTION DETAILS  
 ACM PANEL BY MDS  
 ALTERNATE FASTENER LOCATION

**NOTE:**  
 AIR/MOISTURE BARRIER  
 INSTALLER MUST PROVIDE  
 WEATHER TIGHT SEAL AT  
 ALL BARRIER TERMINATIONS


THE INFORMATION CONTAINED IN THIS DRAWING IS THE SOLE PROPERTY OF METAL DESIGN SYSTEMS. ANY REPRODUCTION, IN PART OR WHOLE, WITHOUT THE WRITTEN PERMISSION OF METAL DESIGN SYSTEMS IS PROHIBITED.	 <b>METAL          DESIGN          SYSTEMS</b> DESIGNED FOR A PERFECT FIT.	<b>METAL DESIGN SYSTEMS</b> 4150 C Street S.W. CEDAR RAPIDS, IA. 52404 Ph. (319) 362-7454		PROJECT <b>SERIES 30 DETAILS</b>		
		DRAWING DESCRIPTION <b>PANEL JOINT DETAIL (TYPICAL)</b>				
		PROJECT NUMBER		DRAWING NUMBER <b>S30-ACM-03A</b>	DATE <b>6.02.14</b>	
		MATERIAL		SCALE <b>6" = 1'-0"</b>	DRAWN BY	

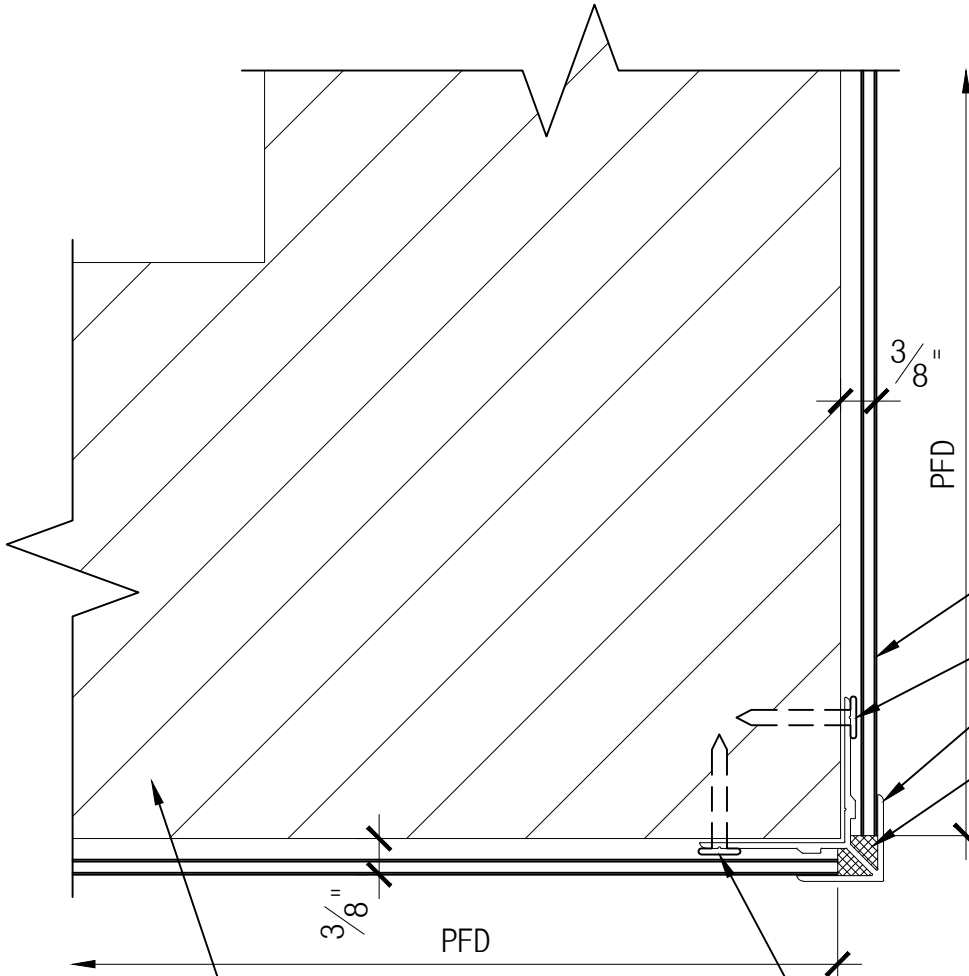


SHIM AND APPROVED FASTENER BY  
INSTALLER (SIZE, TYPE AND  
QUANTITY TO BE APPROPRIATE FOR  
CONDITIONS)  
#3043R EXTRUSION BY MDS  
SEALANT BY INSTALLER

REFER TO CONTRACT  
DOCUMENTS FOR EXACT  
CONSTRUCTION DETAILS  
ACM PANEL BY MDS  
ALTERNATE FASTENER LOCATION

**NOTE:**  
AIR/MOISTURE BARRIER  
INSTALLER MUST PROVIDE  
WEATHER TIGHT SEAL AT  
ALL BARRIER TERMINATIONS

<p>THE INFORMATION CONTAINED IN THIS DRAWING IS THE SOLE PROPERTY OF METAL DESIGN SYSTEMS. ANY REPRODUCTION, IN PART OR WHOLE, WITHOUT THE WRITTEN PERMISSION OF METAL DESIGN SYSTEMS IS PROHIBITED.</p>	 <b>METAL DESIGN SYSTEMS</b> <small>DESIGNED FOR A PERFECT FIT.</small>	<b>METAL DESIGN SYSTEMS</b>		PROJECT <b>SERIES 30 DETAILS</b>			
		4150 C Street S.W. CEDAR RAPIDS, IA. 52404 Ph. (319) 362-7454		DRAWING DESCRIPTION <b>PANEL JOINT WITH REVEAL DETAIL</b>			
		MATERIAL		PROJECT NUMBER	DRAWING NUMBER <b>S30-ACM-03B</b>	DATE <b>6.02.14</b>	
		SCALE <b>6" = 1'-0"</b>		DRAWN BY			



- ACM PANEL BY MDS
- ALTERNATE FASTENER LOCATION
- #3002 EXTRUSION BY MDS
- SEALANT BY INSTALLER

REFER TO CONTRACT DOCUMENTS FOR EXACT CONSTRUCTION DETAILS

SHIM AND APPROVED FASTENER BY INSTALLER (SIZE, TYPE AND QUANTITY TO BE APPROPRIATE FOR CONDITIONS)

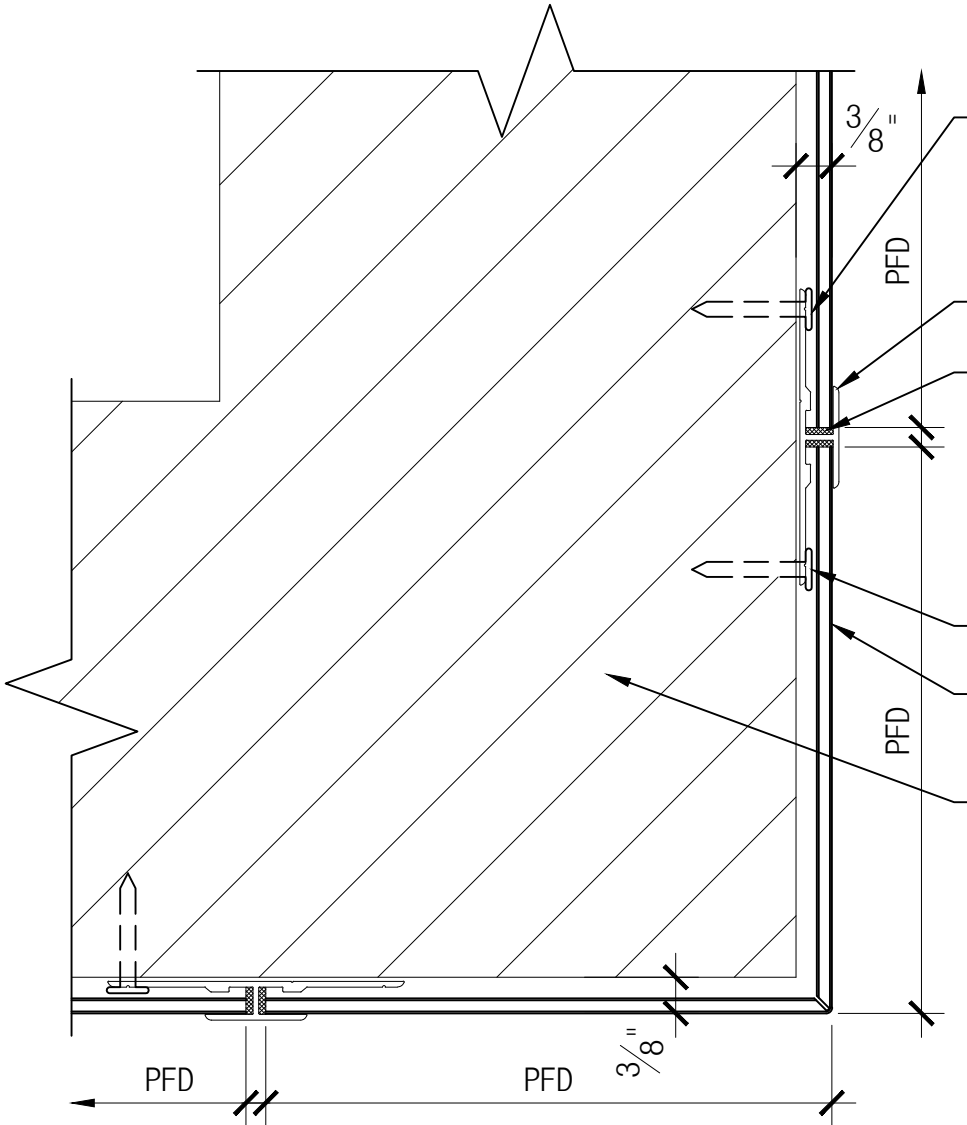
**NOTE:**  
AIR/MOISTURE BARRIER  
INSTALLER MUST PROVIDE  
WEATHER TIGHT SEAL AT  
ALL BARRIER TERMINATIONS

THE INFORMATION CONTAINED IN THIS DRAWING IS THE SOLE PROPERTY OF METAL DESIGN SYSTEMS. ANY REPRODUCTION, IN PART OR WHOLE, WITHOUT THE WRITTEN PERMISSION OF METAL DESIGN SYSTEMS IS PROHIBITED.



**METAL DESIGN SYSTEMS**  
4150 C Street S.W.  
CEDAR RAPIDS, IA. 52404  
Ph. (319) 362-7454

PROJECT <b>SERIES 30 DETAILS</b>		
DRAWING DESCRIPTION <b>OUTSIDE CORNER DETAIL (OPTION A)</b>		
PROJECT NUMBER	DRAWING NUMBER <b>S30-ACM-04A</b>	DATE <b>6.02.14</b>
MATERIAL	SCALE <b>6" = 1'-0"</b>	DRAWN BY



SHIM AND APPROVED FASTENER BY INSTALLER (SIZE, TYPE AND QUANTITY TO BE APPROPRIATE FOR CONDITIONS)

#3001 EXTRUSION BY MDS

SEALANT BY INSTALLER

ALTERNATE FASTENER LOCATION

ACM PANEL BY MDS

REFER TO CONTRACT DOCUMENTS FOR EXACT CONSTRUCTION DETAILS

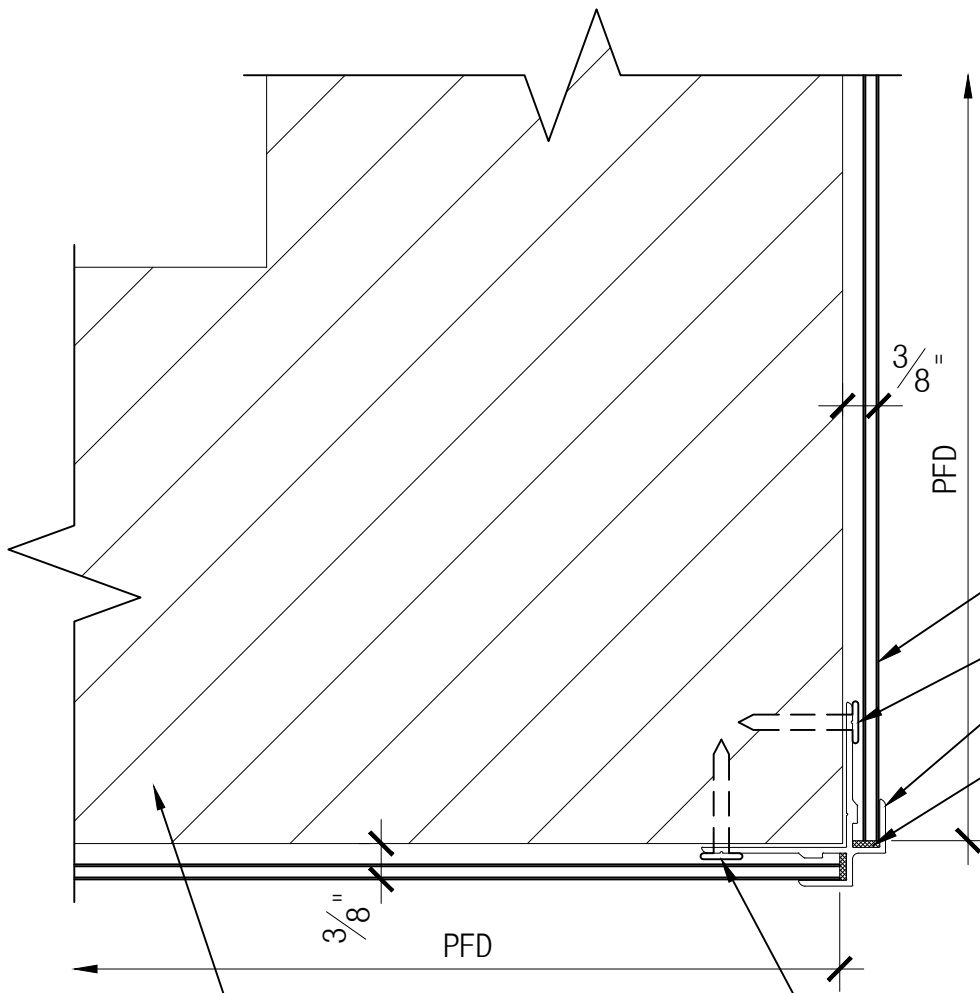
**NOTE:**  
AIR/MOISTURE BARRIER INSTALLER MUST PROVIDE WEATHER TIGHT SEAL AT ALL BARRIER TERMINATIONS

THE INFORMATION CONTAINED IN THIS DRAWING IS THE SOLE PROPERTY OF METAL DESIGN SYSTEMS. ANY REPRODUCTION, IN PART OR WHOLE, WITHOUT THE WRITTEN PERMISSION OF METAL DESIGN SYSTEMS IS PROHIBITED.



**METAL DESIGN SYSTEMS**  
4150 C Street S.W.  
CEDAR RAPIDS, IA. 52404  
Ph. (319) 362-7454

PROJECT <b>SERIES 30 DETAILS</b>		
DRAWING DESCRIPTION <b>OUTSIDE CORNER DETAIL (OPTION B)</b>		
PROJECT NUMBER	DRAWING NUMBER <b>S30-ACM-04B</b>	DATE <b>6.02.14</b>
MATERIAL	SCALE <b>6" = 1'-0"</b>	DRAWN BY



- ACM PANEL BY MDS
- ALTERNATE FASTENER LOCATION
- #3062 EXTRUSION BY MDS
- SEALANT BY INSTALLER

REFER TO CONTRACT DOCUMENTS FOR EXACT CONSTRUCTION DETAILS

SHIM AND APPROVED FASTENER BY INSTALLER (SIZE, TYPE AND QUANTITY TO BE APPROPRIATE FOR CONDITIONS)

**NOTE:**  
AIR/MOISTURE BARRIER  
INSTALLER MUST PROVIDE  
WEATHER TIGHT SEAL AT  
ALL BARRIER TERMINATIONS

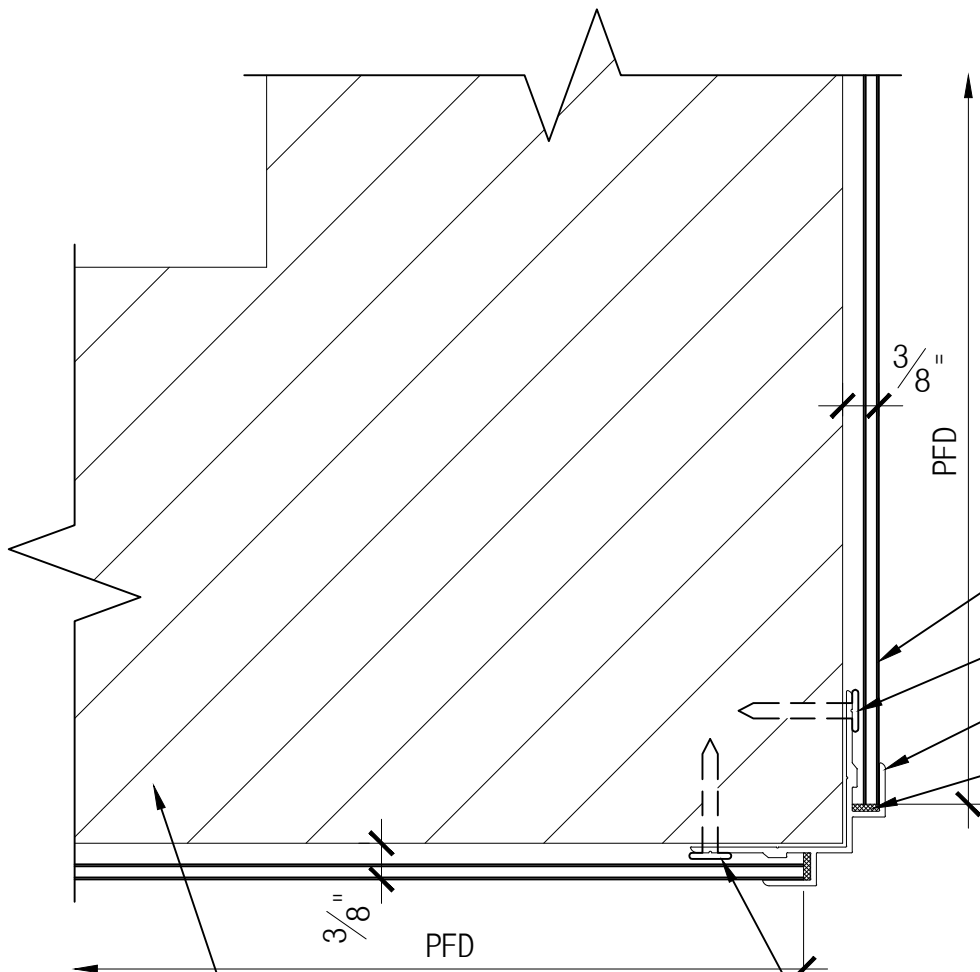
THE INFORMATION CONTAINED IN THIS DRAWING IS THE SOLE PROPERTY OF METAL DESIGN SYSTEMS. ANY REPRODUCTION, IN PART OR WHOLE, WITHOUT THE WRITTEN PERMISSION OF METAL DESIGN SYSTEMS IS PROHIBITED.



**METAL DESIGN SYSTEMS**  
4150 C Street S.W.  
CEDAR RAPIDS, IA. 52404  
Ph. (319) 362-7454

PROJECT <b>SERIES 30 DETAILS</b>		
DRAWING DESCRIPTION <b>OUTSIDE CORNER DETAIL (OPTION C)</b>		
PROJECT NUMBER	DRAWING NUMBER <b>S30-ACM-04C</b>	DATE <b>6.02.14</b>
MATERIAL	SCALE <b>6" = 1'-0"</b>	DRAWN BY





- ACM PANEL BY MDS
- ALTERNATE FASTENER LOCATION
- #3042 EXTRUSION BY MDS
- SEALANT BY INSTALLER

REFER TO CONTRACT DOCUMENTS FOR EXACT CONSTRUCTION DETAILS

SHIM AND APPROVED FASTENER BY INSTALLER (SIZE, TYPE AND QUANTITY TO BE APPROPRIATE FOR CONDITIONS)

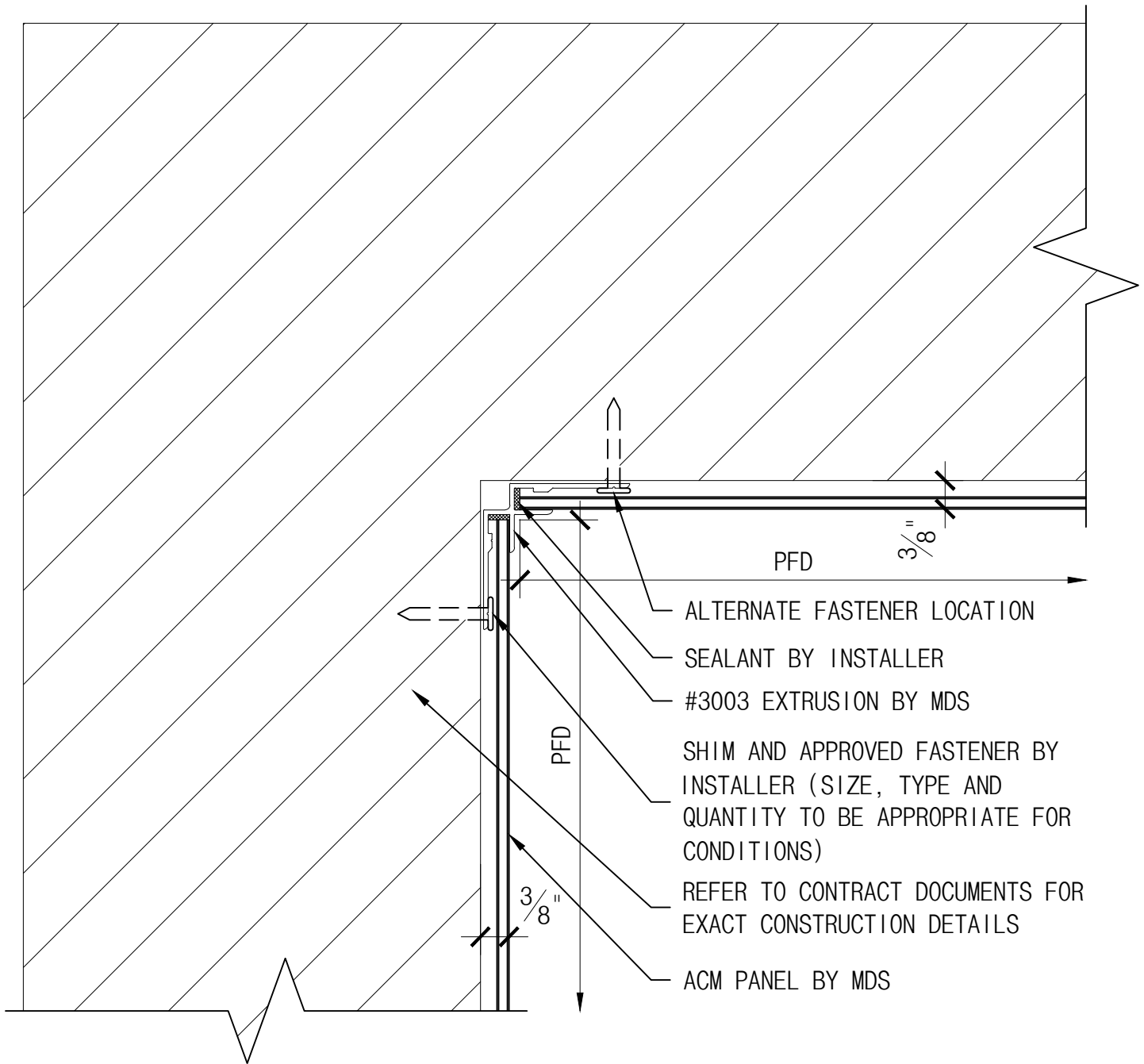
**NOTE:**  
AIR/MOISTURE BARRIER  
INSTALLER MUST PROVIDE  
WEATHER TIGHT SEAL AT  
ALL BARRIER TERMINATIONS

THE INFORMATION CONTAINED IN THIS DRAWING IS THE SOLE PROPERTY OF METAL DESIGN SYSTEMS. ANY REPRODUCTION, IN PART OR WHOLE, WITHOUT THE WRITTEN PERMISSION OF METAL DESIGN SYSTEMS IS PROHIBITED.



**METAL DESIGN SYSTEMS**  
4150 C Street S.W.  
CEDAR RAPIDS, IA. 52404  
Ph. (319) 362-7454

PROJECT <b>SERIES 30 DETAILS</b>		
DRAWING DESCRIPTION <b>OUTSIDE CORNER DETAIL (OPTION D)</b>		
PROJECT NUMBER	DRAWING NUMBER <b>S30-ACM-04D</b>	DATE <b>6.02.14</b>
MATERIAL	SCALE <b>6" = 1'-0"</b>	DRAWN BY

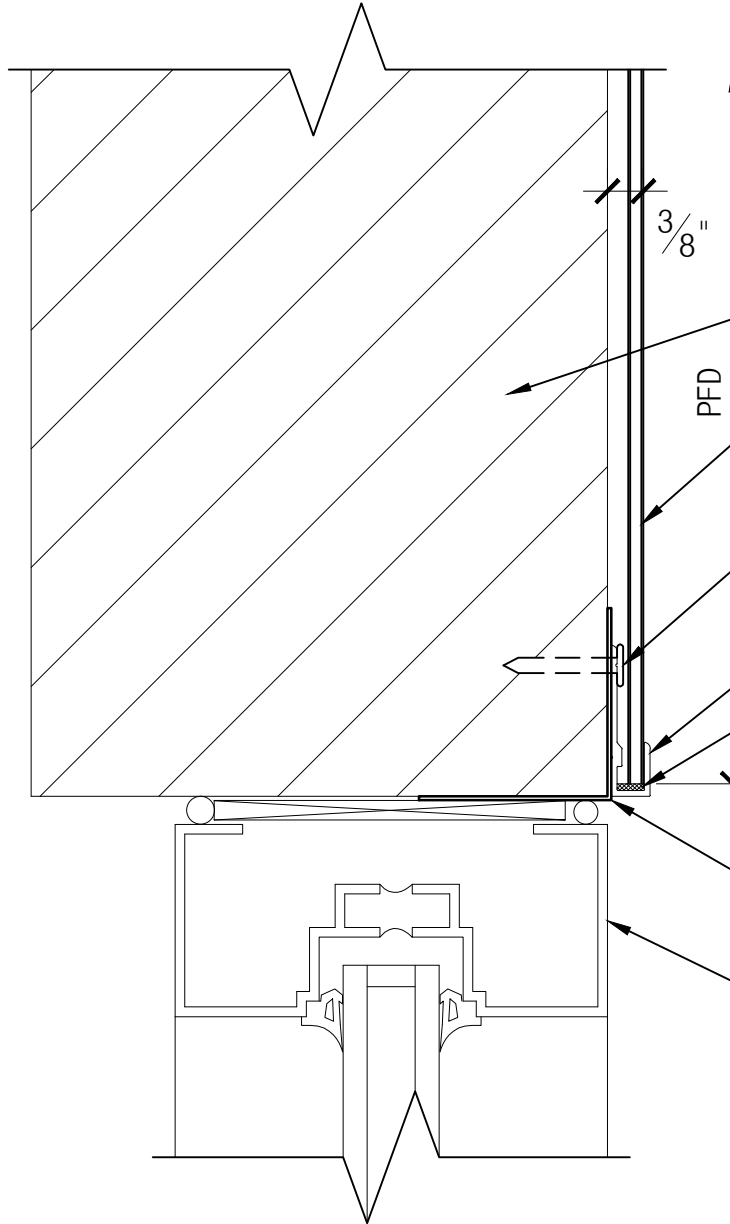


THE INFORMATION CONTAINED IN THIS DRAWING IS THE SOLE PROPERTY OF METAL DESIGN SYSTEMS. ANY REPRODUCTION, IN PART OR WHOLE, WITHOUT THE WRITTEN PERMISSION OF METAL DESIGN SYSTEMS IS PROHIBITED.



**METAL DESIGN SYSTEMS**  
 4150 C Street S.W.  
 CEDAR RAPIDS, IA. 52404  
 Ph. (319) 362-7454

PROJECT <b>SERIES 30 DETAILS</b>		
DRAWING DESCRIPTION <b>INSIDE CORNER DETAIL (TYPICAL)</b>		
PROJECT NUMBER	DRAWING NUMBER <b>S30-ACM-05</b>	DATE <b>6.02.14</b>
MATERIAL	SCALE <b>6" = 1'-0"</b>	DRAWN BY



REFER TO CONTRACT DOCUMENTS FOR EXACT CONSTRUCTION DETAILS

ACM PANEL BY MDS

SHIM AND APPROVED FASTENER BY INSTALLER (SIZE, TYPE AND QUANTITY TO BE APPROPRIATE FOR CONDITIONS)

#3004 EXTRUSION BY MDS

SEALANT BY INSTALLER

FLASHING SYSTEM BY OTHERS

WINDOW/DOOR SYSTEM AND ALL RELATED FLASHING, BLOCKING AND SEALANTS BY OTHERS

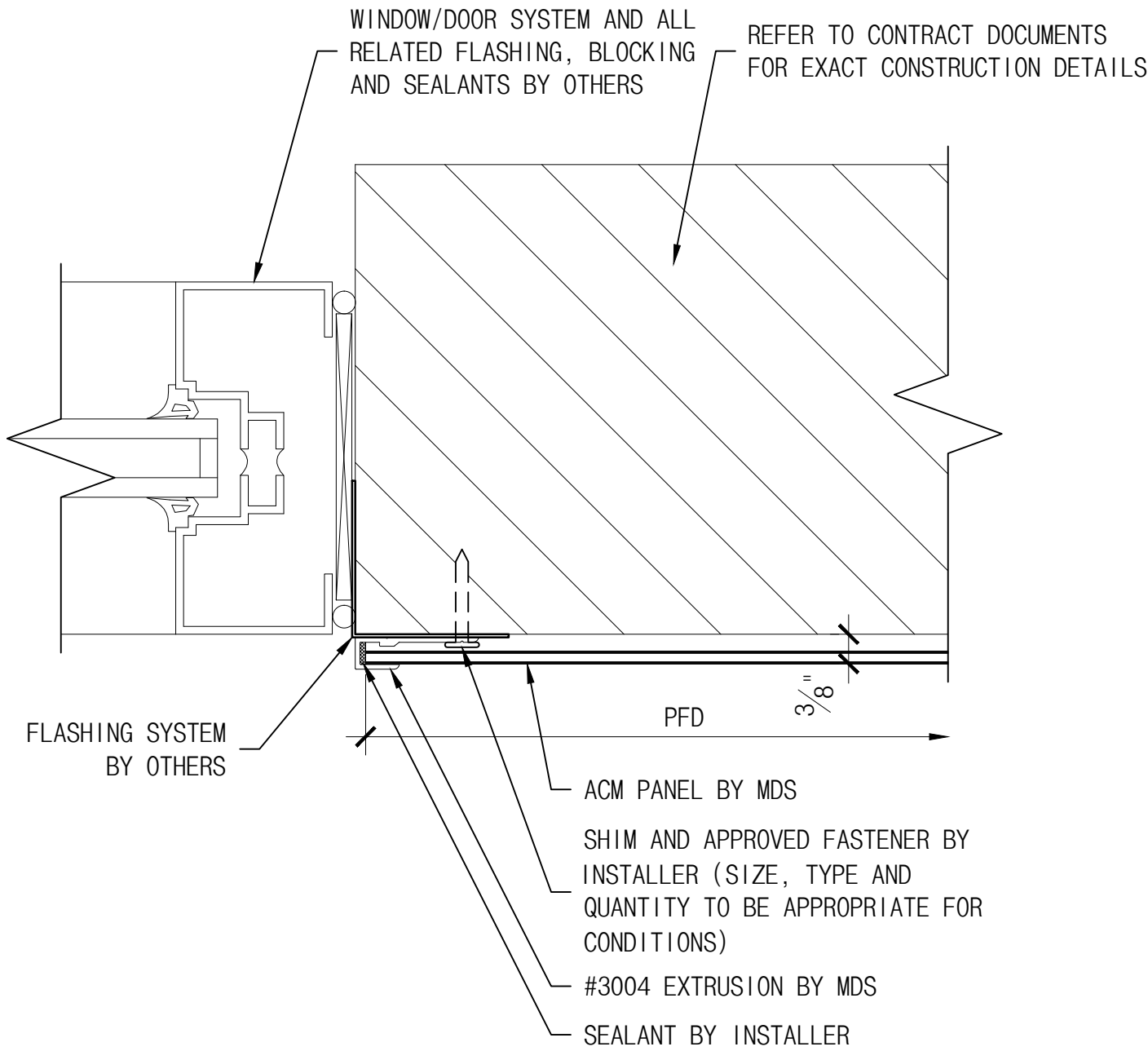
**NOTE:**  
AIR/MOISTURE BARRIER  
INSTALLER MUST PROVIDE  
WEATHER TIGHT SEAL AT  
ALL BARRIER TERMINATIONS

THE INFORMATION CONTAINED IN THIS DRAWING IS THE SOLE PROPERTY OF METAL DESIGN SYSTEMS. ANY REPRODUCTION, IN PART OR WHOLE, WITHOUT THE WRITTEN PERMISSION OF METAL DESIGN SYSTEMS IS PROHIBITED.




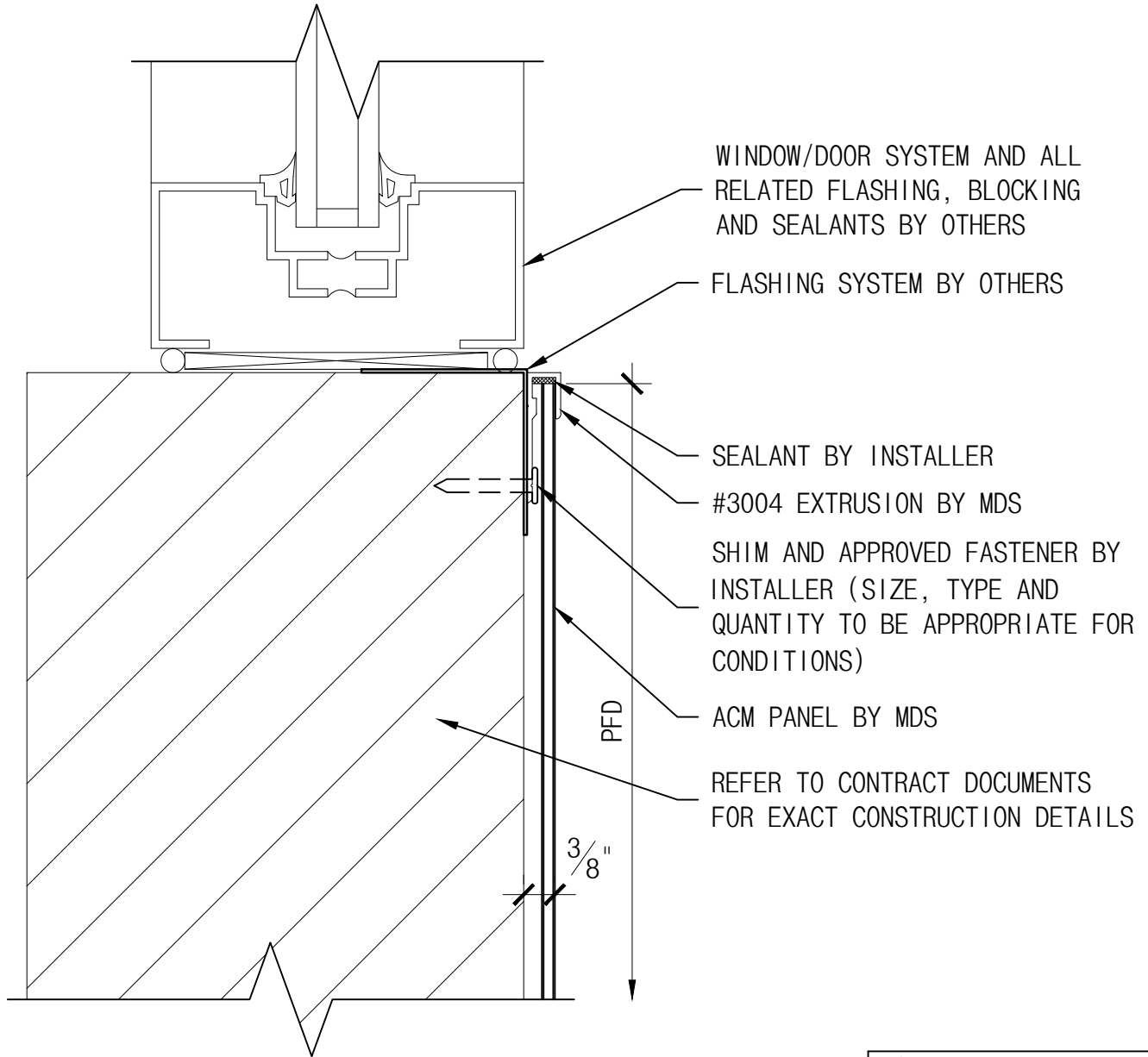
**METAL DESIGN SYSTEMS**  
4150 C Street S.W.  
CEDAR RAPIDS, IA. 52404  
Ph. (319) 362-7454

PROJECT <b>SERIES 30 DETAILS</b>		
DRAWING DESCRIPTION <b>WINDOW/DOOR HEAD DETAIL (TYPICAL)</b>		
PROJECT NUMBER	DRAWING NUMBER <b>S30-ACM-06</b>	DATE <b>6.02.14</b>
MATERIAL	SCALE <b>6" = 1'-0"</b>	DRAWN BY




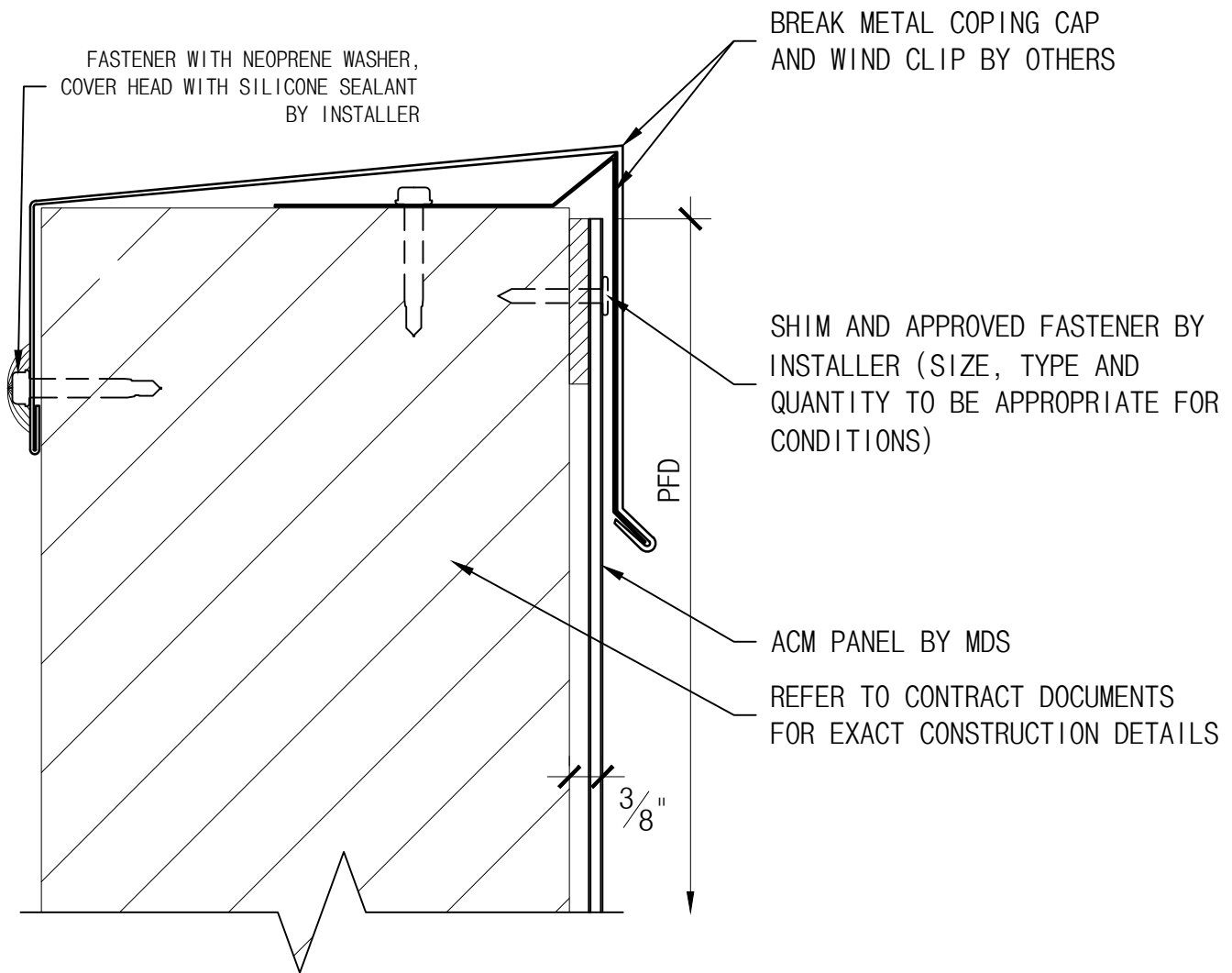
**NOTE:**  
 AIR/MOISTURE BARRIER  
 INSTALLER MUST PROVIDE  
 WEATHER TIGHT SEAL AT  
 ALL BARRIER TERMINATIONS

<p>THE INFORMATION CONTAINED IN THIS DRAWING IS THE SOLE PROPERTY OF METAL DESIGN SYSTEMS. ANY REPRODUCTION, IN PART OR WHOLE, WITHOUT THE WRITTEN PERMISSION OF METAL DESIGN SYSTEMS IS PROHIBITED.</p>	 <b>METAL DESIGN SYSTEMS</b> <small>DESIGNED FOR A PERFECT FIT.</small>	<b>METAL DESIGN SYSTEMS</b>		PROJECT <b>SERIES 30 DETAILS</b>			
		4150 C Street S.W. CEDAR RAPIDS, IA. 52404 Ph. (319) 362-7454		DRAWING DESCRIPTION <b>WINDOW/DOOR JAMB DETAIL (TYPICAL)</b>			
				PROJECT NUMBER	DRAWING NUMBER <b>S30-ACM-07</b>	DATE <b>6.02.14</b>	
		MATERIAL		SCALE <b>6" = 1'-0"</b>		DRAWN BY	



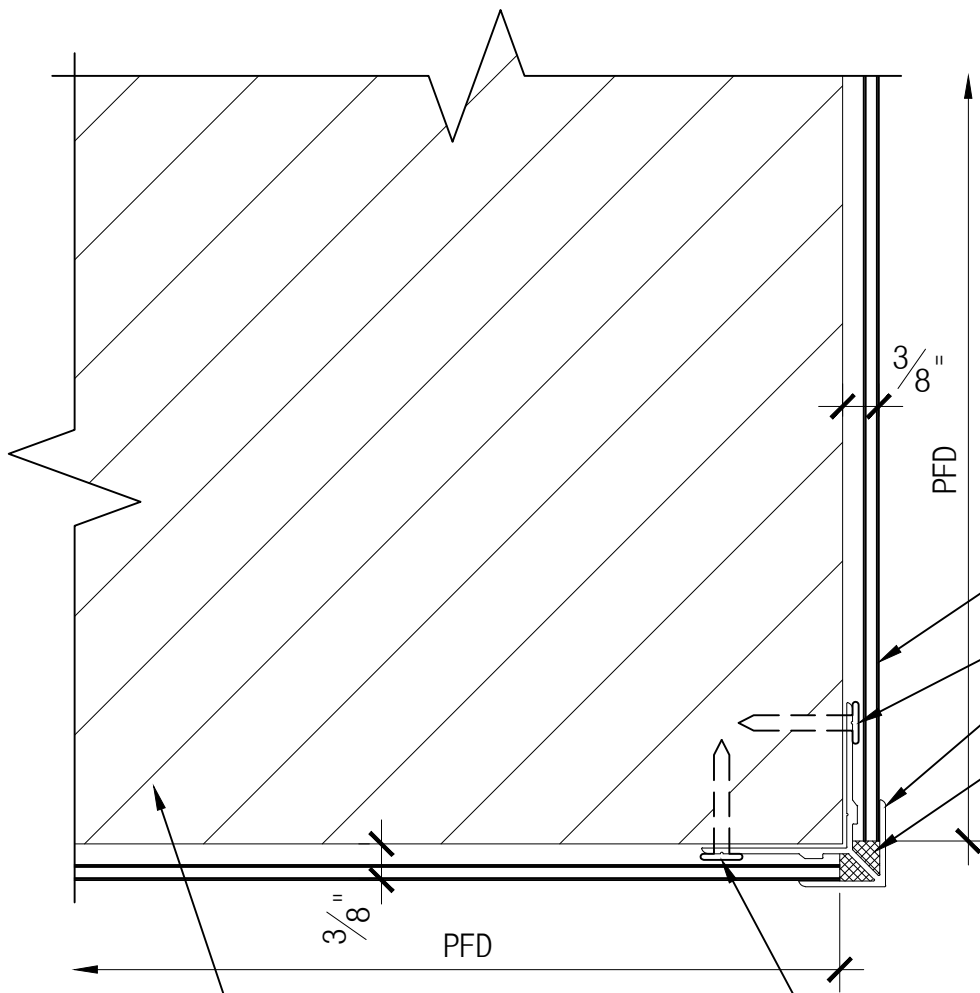
**NOTE:**  
 AIR/MOISTURE BARRIER  
 INSTALLER MUST PROVIDE  
 WEATHER TIGHT SEAL AT  
 ALL BARRIER TERMINATIONS

<p>THE INFORMATION CONTAINED IN THIS DRAWING IS THE SOLE PROPERTY OF METAL DESIGN SYSTEMS. ANY REPRODUCTION, IN PART OR WHOLE, WITHOUT THE WRITTEN PERMISSION OF METAL DESIGN SYSTEMS IS PROHIBITED.</p>	 <b>METAL DESIGN SYSTEMS</b> <small>DESIGNED FOR A PERFECT FIT.</small>	<b>METAL DESIGN SYSTEMS</b>		PROJECT <b>SERIES 30 DETAILS</b>			
		4150 C Street S.W. CEDAR RAPIDS, IA. 52404 Ph. (319) 362-7454		DRAWING DESCRIPTION <b>WINDOW SILL DETAIL (TYPICAL)</b>			
		MATERIAL		PROJECT NUMBER	DRAWING NUMBER <b>S30-ACM-08</b>	DATE <b>6.02.14</b>	
				SCALE <b>6" = 1'-0"</b>	DRAWN BY		



**NOTE:**  
AIR/MOISTURE BARRIER  
INSTALLER MUST PROVIDE  
WEATHER TIGHT SEAL AT  
ALL BARRIER TERMINATIONS

<p>THE INFORMATION CONTAINED IN THIS DRAWING IS THE SOLE PROPERTY OF METAL DESIGN SYSTEMS. ANY REPRODUCTION, IN PART OR WHOLE, WITHOUT THE WRITTEN PERMISSION OF METAL DESIGN SYSTEMS IS PROHIBITED.</p>	 <b>METAL DESIGN SYSTEMS</b> <small>DESIGNED FOR A PERFECT FIT.</small>	<b>METAL DESIGN SYSTEMS</b>		PROJECT <b>SERIES 30 DETAILS</b>			
		4150 C Street S.W. CEDAR RAPIDS, IA. 52404 Ph. (319) 362-7454		DRAWING DESCRIPTION <b>COPING DETAIL (TYPICAL)</b>			
		MATERIAL		PROJECT NUMBER	DRAWING NUMBER <b>S30-ACM-09</b>	DATE <b>6.02.14</b>	
		SCALE <b>6" = 1'-0"</b>		DRAWN BY			




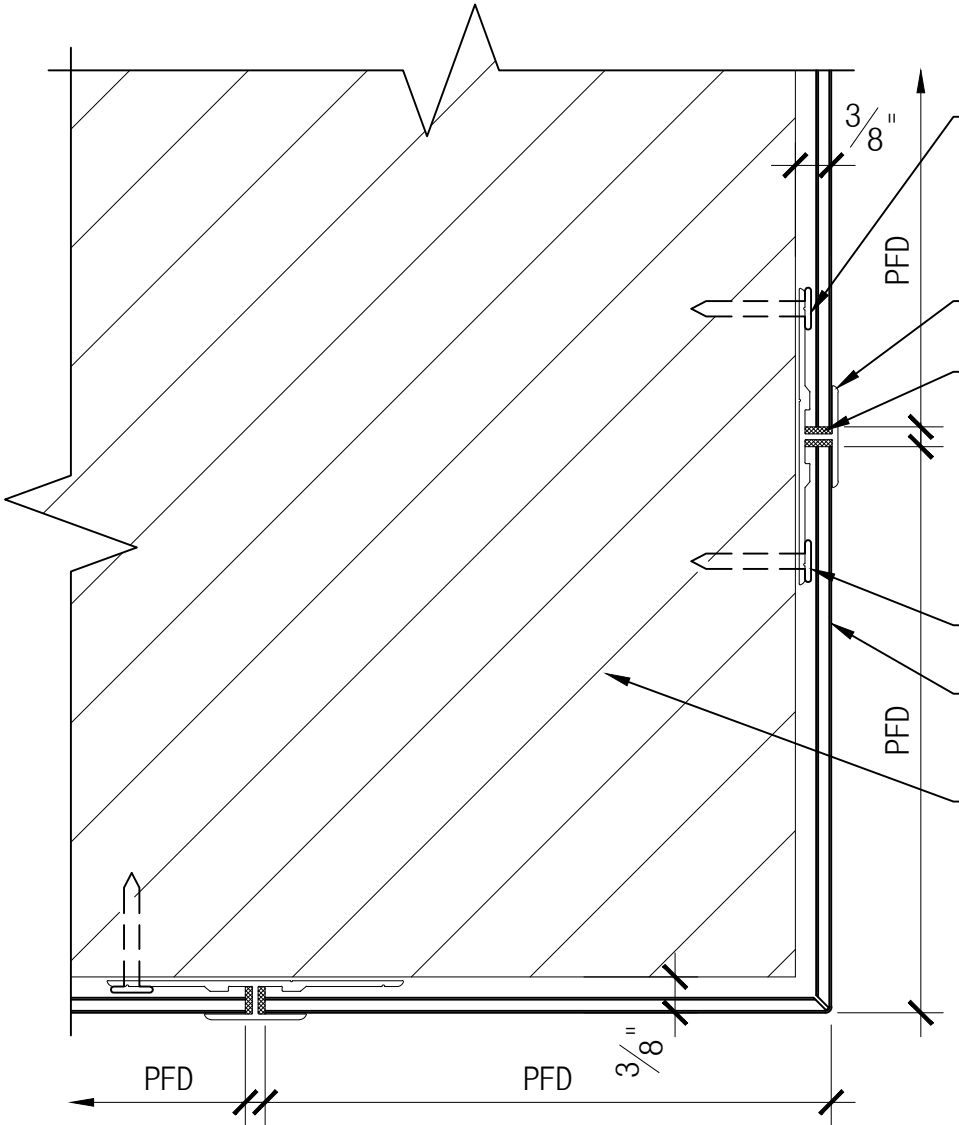
- ACM PANEL BY MDS
- ALTERNATE FASTENER LOCATION
- #3002 EXTRUSION BY MDS
- SEALANT BY INSTALLER

REFER TO CONTRACT DOCUMENTS FOR EXACT CONSTRUCTION DETAILS

SHIM AND APPROVED FASTENER BY INSTALLER (SIZE, TYPE AND QUANTITY TO BE APPROPRIATE FOR CONDITIONS)

**NOTE:**  
 AIR/MOISTURE BARRIER  
 INSTALLER MUST PROVIDE  
 WEATHER TIGHT SEAL AT  
 ALL BARRIER TERMINATIONS

<p>THE INFORMATION CONTAINED IN THIS DRAWING IS THE SOLE PROPERTY OF METAL DESIGN SYSTEMS. ANY REPRODUCTION, IN PART OR WHOLE, WITHOUT THE WRITTEN PERMISSION OF METAL DESIGN SYSTEMS IS PROHIBITED.</p>	 <b>METAL DESIGN SYSTEMS</b> <small>DESIGNED FOR A PERFECT FIT.</small>	<b>METAL DESIGN SYSTEMS</b>	PROJECT		
		4150 C Street S.W. CEDAR RAPIDS, IA. 52404 Ph. (319) 362-7454	SERIES 30 DETAILS		
			DRAWING DESCRIPTION		
			ACM SOFFIT DETAIL (OPTION A)		
		MATERIAL	PROJECT NUMBER	DRAWING NUMBER	DATE
				S30-ACM-10A	6.02.14
			SCALE	DRAWN BY	
			6" = 1'-0"		



SHIM AND APPROVED FASTENER BY  
INSTALLER (SIZE, TYPE AND  
QUANTITY TO BE APPROPRIATE  
FOR CONDITIONS)

#3001 EXTRUSION BY MDS  
SEALANT BY INSTALLER

ALTERNATE FASTENER LOCATION  
ACM PANEL BY MDS

REFER TO CONTRACT  
DOCUMENTS FOR EXACT  
CONSTRUCTION DETAILS

**NOTE:**  
AIR/MOISTURE BARRIER  
INSTALLER MUST PROVIDE  
WEATHER TIGHT SEAL AT  
ALL BARRIER TERMINATIONS

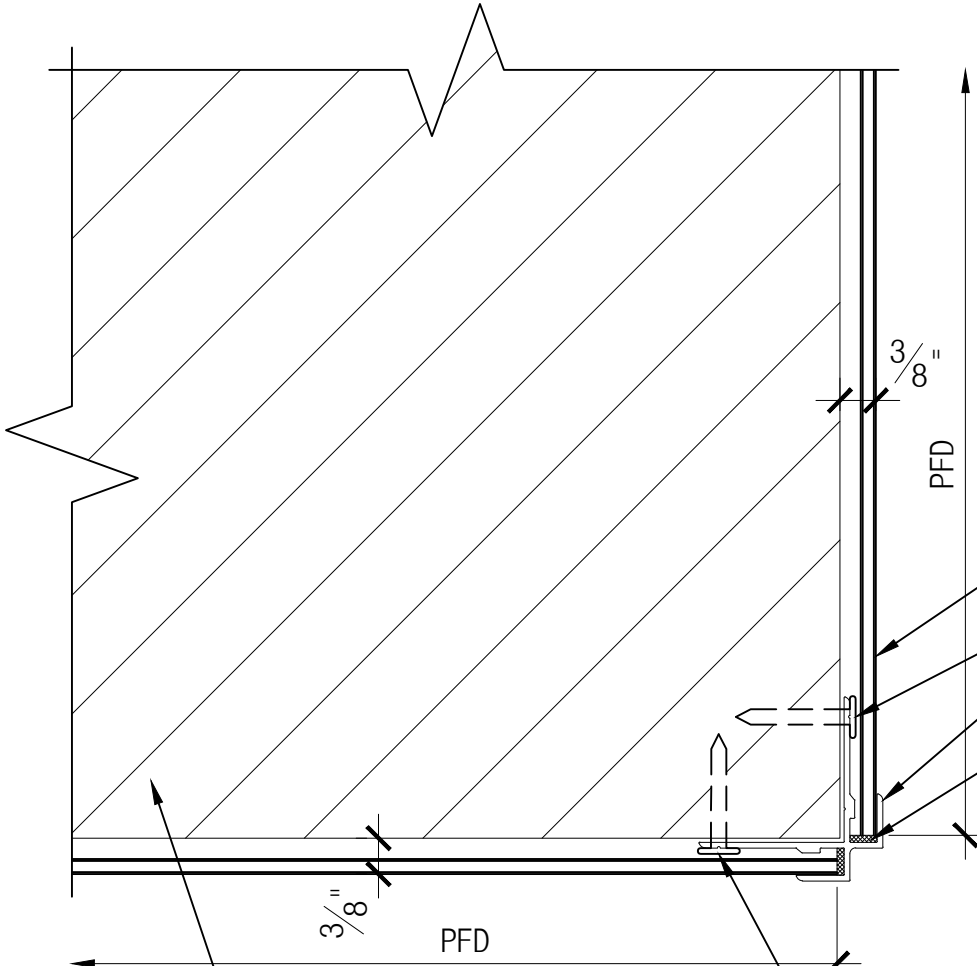
THE INFORMATION CONTAINED IN THIS  
DRAWING IS THE SOLE PROPERTY OF  
METAL DESIGN SYSTEMS. ANY  
REPRODUCTION, IN PART OR WHOLE,  
WITHOUT THE WRITTEN PERMISSION OF  
METAL DESIGN SYSTEMS IS PROHIBITED.



**METAL DESIGN SYSTEMS**  
4150 C Street S.W.  
CEDAR RAPIDS, IA. 52404  
Ph. (319) 362-7454

PROJECT <b>SERIES 30 DETAILS</b>		
DRAWING DESCRIPTION <b>ACM SOFFIT DETAIL (OPTION B)</b>		
PROJECT NUMBER	DRAWING NUMBER <b>S30-ACM-10B</b>	DATE <b>6.02.14</b>
MATERIAL	SCALE <b>6" = 1'-0"</b>	DRAWN BY





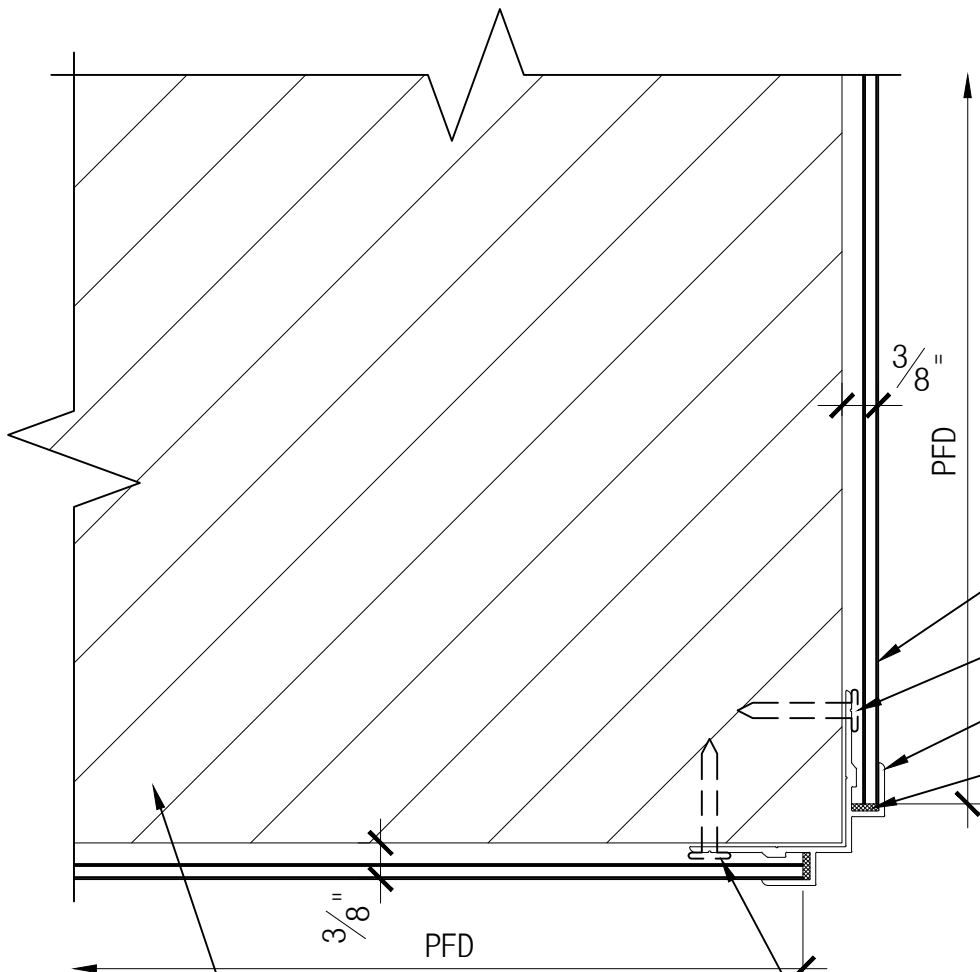
- ACM PANEL BY MDS
- ALTERNATE FASTENER LOCATION
- #3062 EXTRUSION BY MDS
- SEALANT BY INSTALLER

REFER TO CONTRACT DOCUMENTS FOR EXACT CONSTRUCTION DETAILS

SHIM AND APPROVED FASTENER BY INSTALLER (SIZE, TYPE AND QUANTITY TO BE APPROPRIATE FOR CONDITIONS)

**NOTE:**  
AIR/MOISTURE BARRIER  
INSTALLER MUST PROVIDE  
WEATHER TIGHT SEAL AT  
ALL BARRIER TERMINATIONS

<p>THE INFORMATION CONTAINED IN THIS DRAWING IS THE SOLE PROPERTY OF METAL DESIGN SYSTEMS. ANY REPRODUCTION, IN PART OR WHOLE, WITHOUT THE WRITTEN PERMISSION OF METAL DESIGN SYSTEMS IS PROHIBITED.</p>	 <b>METAL DESIGN SYSTEMS</b> <small>DESIGNED FOR A PERFECT FIT.</small>	<b>METAL DESIGN SYSTEMS</b>	PROJECT		
		4150 C Street S.W. CEDAR RAPIDS, IA. 52404 Ph. (319) 362-7454	SERIES 30 DETAILS		
			DRAWING DESCRIPTION		
			ACM SOFFIT DETAIL (OPTION C)		
		MATERIAL	PROJECT NUMBER	DRAWING NUMBER	DATE
				S30-ACM-10C	6.02.14
			SCALE	DRAWN BY	
			6" = 1'-0"		




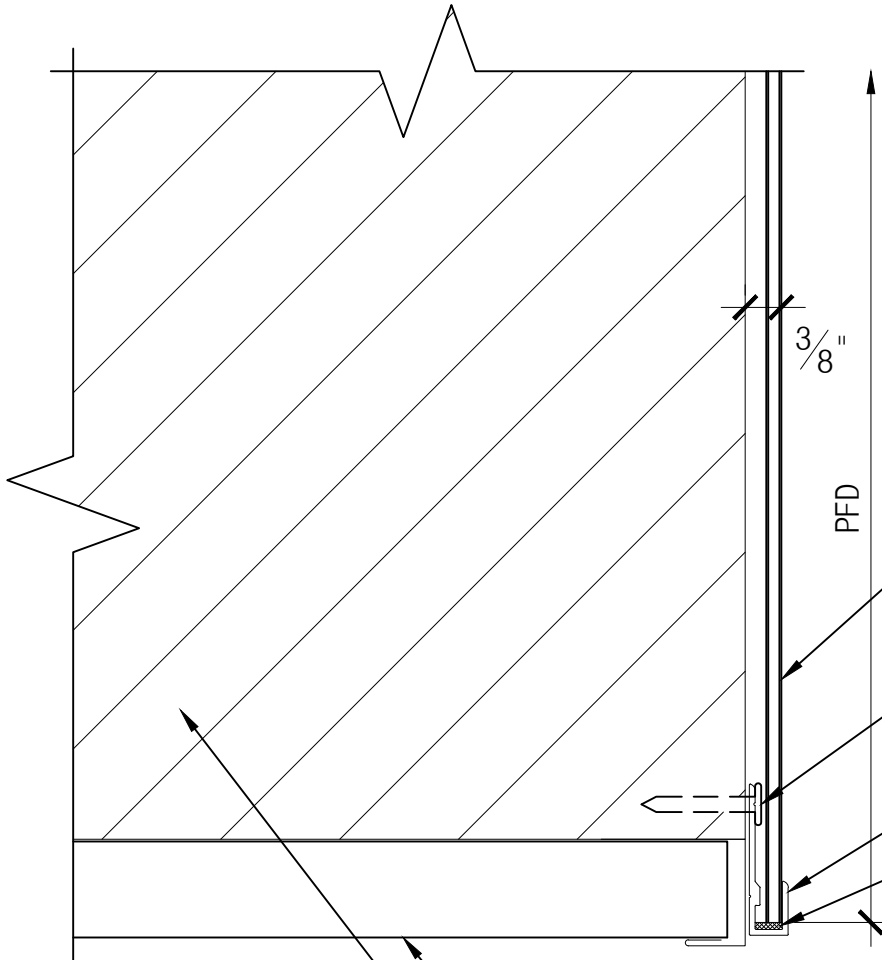
- ACM PANEL BY MDS
- ALTERNATE FASTENER LOCATION
- #3042 EXTRUSION BY MDS
- SEALANT BY INSTALLER

REFER TO CONTRACT DOCUMENTS FOR EXACT CONSTRUCTION DETAILS

SHIM AND APPROVED FASTENER BY INSTALLER (SIZE, TYPE AND QUANTITY TO BE APPROPRIATE FOR CONDITIONS)

**NOTE:**  
AIR/MOISTURE BARRIER  
INSTALLER MUST PROVIDE  
WEATHER TIGHT SEAL AT  
ALL BARRIER TERMINATIONS


<p>THE INFORMATION CONTAINED IN THIS DRAWING IS THE SOLE PROPERTY OF METAL DESIGN SYSTEMS. ANY REPRODUCTION, IN PART OR WHOLE, WITHOUT THE WRITTEN PERMISSION OF METAL DESIGN SYSTEMS IS PROHIBITED.</p>	 <b>METAL DESIGN SYSTEMS</b> <small>DESIGNED FOR A PERFECT FIT.</small>	<b>METAL DESIGN SYSTEMS</b>	PROJECT <b>SERIES 30 DETAILS</b>			
		4150 C Street S.W. CEDAR RAPIDS, IA. 52404 Ph. (319) 362-7454	DRAWING DESCRIPTION <b>ACM SOFFIT DETAIL (OPTION D)</b>			
		MATERIAL	PROJECT NUMBER	DRAWING NUMBER <b>S30-ACM-10D</b>	DATE <b>6.02.14</b>	
			SCALE <b>6" = 1'-0"</b>	DRAWN BY		

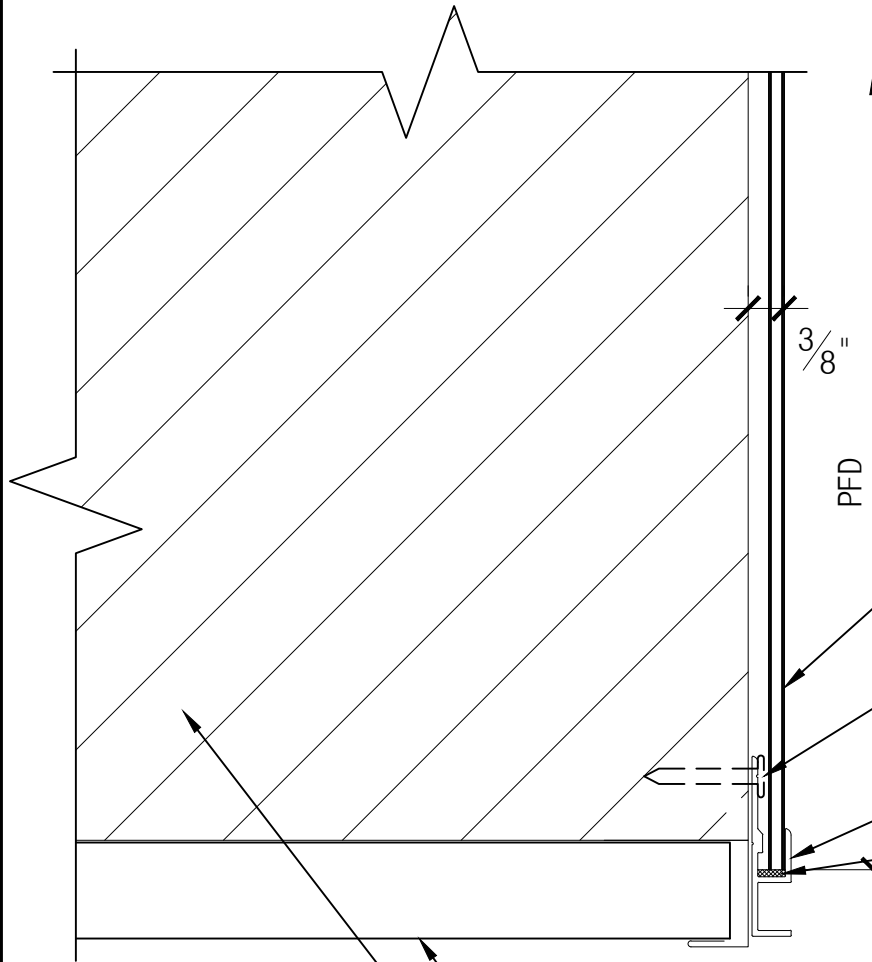


- ACM PANEL BY MDS
- SHIM AND APPROVED FASTENER BY INSTALLER (SIZE, TYPE AND QUANTITY TO BE APPROPRIATE FOR CONDITIONS)
- #3004 EXTRUSION BY MDS
- SEALANT BY INSTALLER

SOFFIT SYSTEM BY OTHERS  
 REFER TO CONTRACT DOCUMENTS FOR EXACT CONSTRUCTION DETAILS

**NOTE:**  
 AIR/MOISTURE BARRIER  
 INSTALLER MUST PROVIDE  
 WEATHER TIGHT SEAL AT  
 ALL BARRIER TERMINATIONS


<p>THE INFORMATION CONTAINED IN THIS DRAWING IS THE SOLE PROPERTY OF METAL DESIGN SYSTEMS. ANY REPRODUCTION, IN PART OR WHOLE, WITHOUT THE WRITTEN PERMISSION OF METAL DESIGN SYSTEMS IS PROHIBITED.</p>	 <b>METAL DESIGN SYSTEMS</b> <small>DESIGNED FOR A PERFECT FIT.</small>	<b>METAL DESIGN SYSTEMS</b>	PROJECT		
		4150 C Street S.W. CEDAR RAPIDS, IA. 52404 Ph. (319) 362-7454	SERIES 30 DETAILS		
			DRAWING DESCRIPTION		
			ALTERNATE SOFFIT DETAIL (OPTION A)		
		MATERIAL	PROJECT NUMBER	DRAWING NUMBER	DATE
				S30-ACM-11A	6.02.14
			SCALE	DRAWN BY	
			6" = 1'-0"		



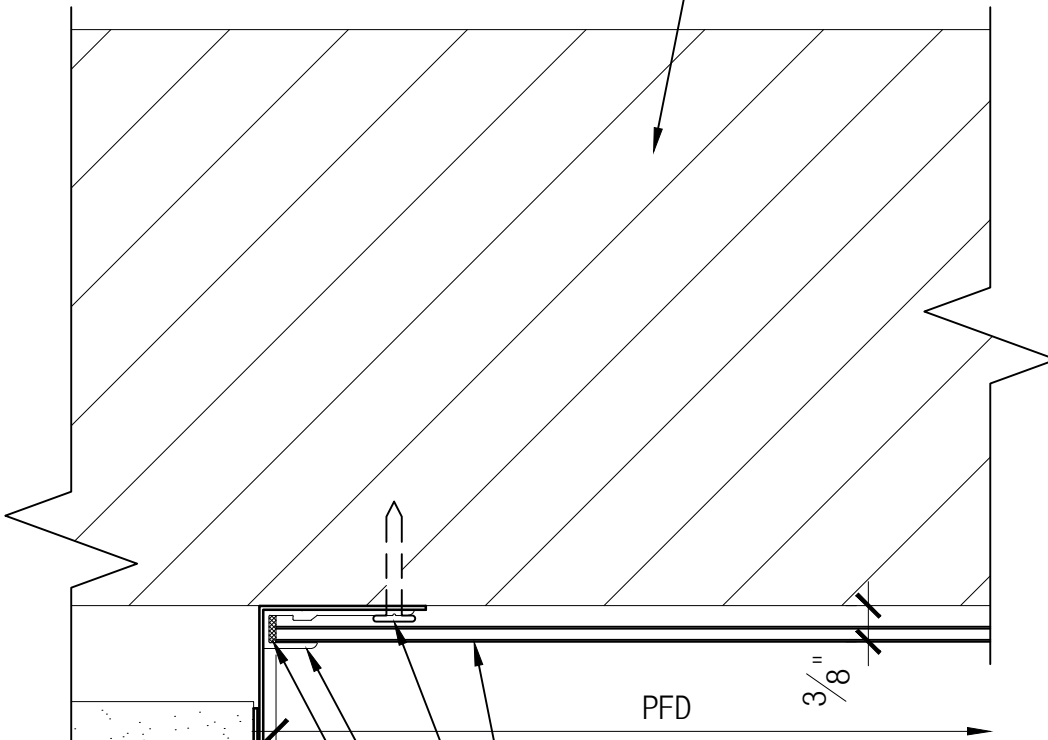
- ACM PANEL BY MDS
- SHIM AND APPROVED FASTENER BY INSTALLER (SIZE, TYPE AND QUANTITY TO BE APPROPRIATE FOR CONDITIONS)
- #3041 EXTRUSION BY MDS
- SEALANT BY INSTALLER

SOFFIT SYSTEM BY OTHERS  
 REFER TO CONTRACT DOCUMENTS FOR EXACT CONSTRUCTION DETAILS

**NOTE:**  
 AIR/MOISTURE BARRIER  
 INSTALLER MUST PROVIDE  
 WEATHER TIGHT SEAL AT  
 ALL BARRIER TERMINATIONS


<p>THE INFORMATION CONTAINED IN THIS DRAWING IS THE SOLE PROPERTY OF METAL DESIGN SYSTEMS. ANY REPRODUCTION, IN PART OR WHOLE, WITHOUT THE WRITTEN PERMISSION OF METAL DESIGN SYSTEMS IS PROHIBITED.</p>	 <b>METAL DESIGN SYSTEMS</b> <small>DESIGNED FOR A PERFECT FIT.</small>	<b>METAL DESIGN SYSTEMS</b>	PROJECT		
		4150 C Street S.W. CEDAR RAPIDS, IA. 52404 Ph. (319) 362-7454	SERIES 30 DETAILS		
			DRAWING DESCRIPTION		
			ALTERNATE SOFFIT DETAIL (OPTION B)		
		MATERIAL	PROJECT NUMBER	DRAWING NUMBER	DATE
				S30-ACM-11B	6.02.14
			SCALE	DRAWN BY	
			6" = 1'-0"		

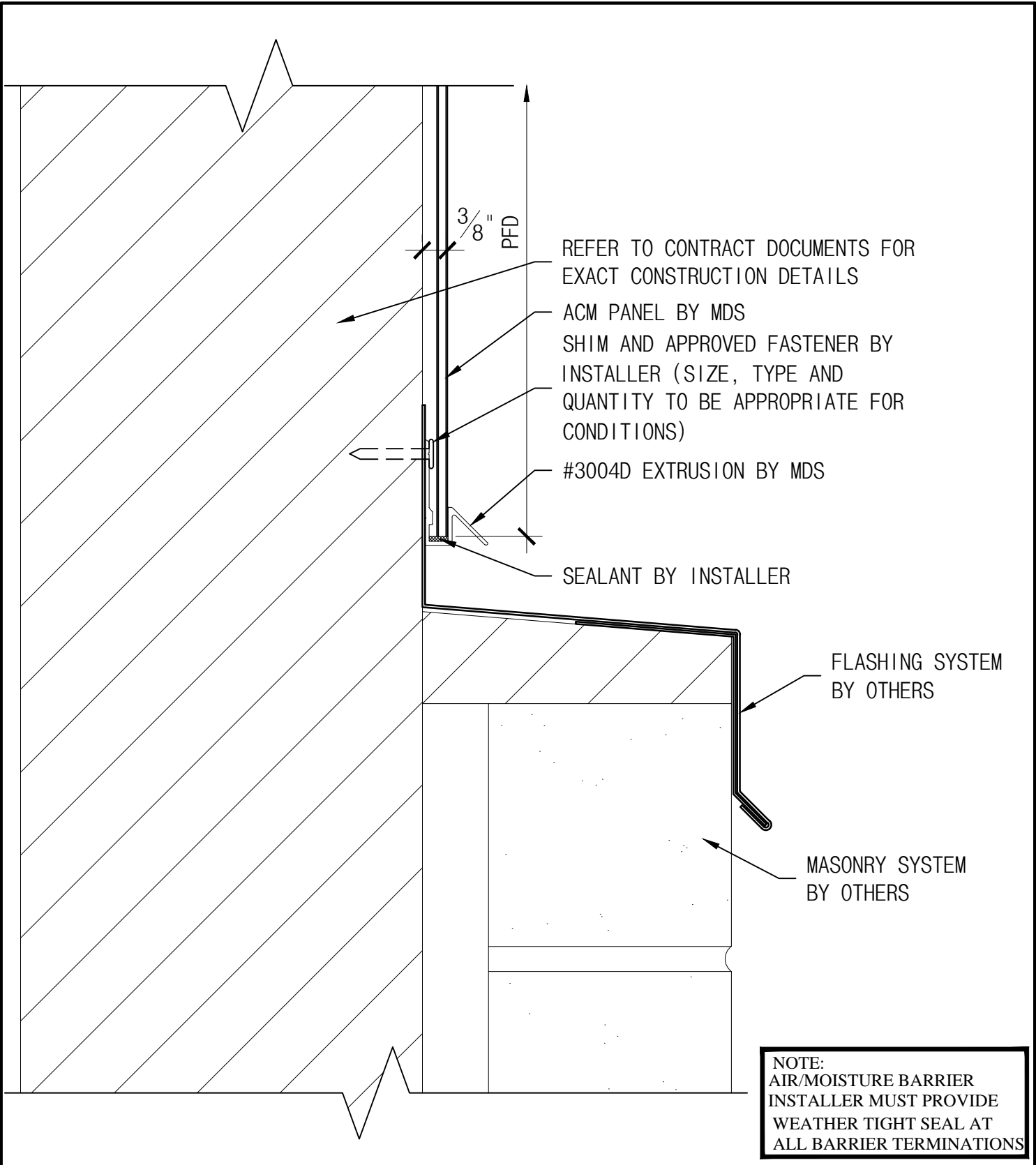
REFER TO CONTRACT DOCUMENTS  
FOR EXACT CONSTRUCTION DETAILS



- ACM PANEL BY MDS
- SHIM AND APPROVED FASTENER BY  
INSTALLER (SIZE, TYPE AND  
QUANTITY TO BE APPROPRIATE FOR  
CONDITIONS)
- #3004 EXTRUSION BY MDS
- SEALANT BY INSTALLER
- FLASHING AND RELATED SEALANT BY OTHERS
- MASONRY SYSTEM BY OTHERS

**NOTE:**  
AIR/MOISTURE BARRIER  
INSTALLER MUST PROVIDE  
WEATHER TIGHT SEAL AT  
ALL BARRIER TERMINATIONS

<p>THE INFORMATION CONTAINED IN THIS DRAWING IS THE SOLE PROPERTY OF METAL DESIGN SYSTEMS. ANY REPRODUCTION, IN PART OR WHOLE, WITHOUT THE WRITTEN PERMISSION OF METAL DESIGN SYSTEMS IS PROHIBITED.</p>	 <b>METAL DESIGN SYSTEMS</b> <small>DESIGNED FOR A PERFECT FIT.</small>	<b>METAL DESIGN SYSTEMS</b> 4150 C Street S.W. CEDAR RAPIDS, IA. 52404 Ph. (319) 362-7454		PROJECT <b>SERIES 30 DETAILS</b>		
		DRAWING DESCRIPTION <b>PANEL TO MASONRY DETAIL</b>				
		PROJECT NUMBER		DRAWING NUMBER <b>S30-ACM-12</b>	DATE <b>6.02.14</b>	
		MATERIAL		SCALE <b>6" = 1'-0"</b>	DRAWN BY	



REFER TO CONTRACT DOCUMENTS FOR EXACT CONSTRUCTION DETAILS

ACM PANEL BY MDS  
 SHIM AND APPROVED FASTENER BY INSTALLER (SIZE, TYPE AND QUANTITY TO BE APPROPRIATE FOR CONDITIONS)

#3004D EXTRUSION BY MDS

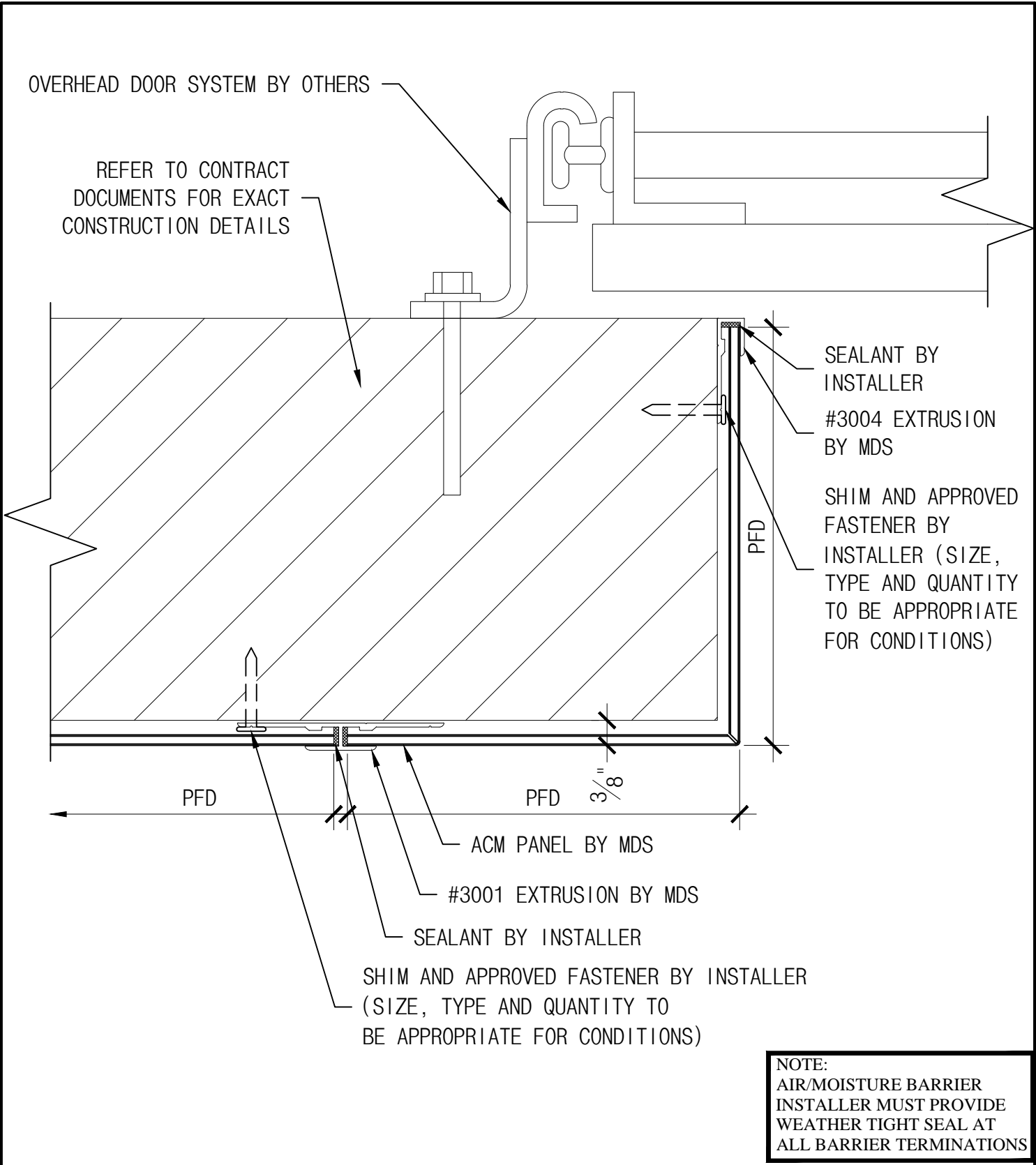
SEALANT BY INSTALLER

FLASHING SYSTEM BY OTHERS

MASONRY SYSTEM BY OTHERS

**NOTE:**  
 AIR/MOISTURE BARRIER INSTALLER MUST PROVIDE WEATHER TIGHT SEAL AT ALL BARRIER TERMINATIONS

<p>THE INFORMATION CONTAINED IN THIS DRAWING IS THE SOLE PROPERTY OF METAL DESIGN SYSTEMS. ANY REPRODUCTION, IN PART OR WHOLE, WITHOUT THE WRITTEN PERMISSION OF METAL DESIGN SYSTEMS IS PROHIBITED.</p>	 <b>METAL DESIGN SYSTEMS</b> <small>DESIGNED FOR A PERFECT FIT.</small>	<b>METAL DESIGN SYSTEMS</b>		PROJECT <b>SERIES 30 DETAILS</b>			
		4150 C Street S.W. CEDAR RAPIDS, IA. 52404 Ph. (319) 362-7454		DRAWING DESCRIPTION <b>MASONRY SILL DETAIL</b>			
		MATERIAL		PROJECT NUMBER	DRAWING NUMBER <b>S30-ACM-13</b>	DATE <b>6.02.14</b>	
				SCALE <b>6" = 1'-0"</b>	DRAWN BY		



THE INFORMATION CONTAINED IN THIS DRAWING IS THE SOLE PROPERTY OF METAL DESIGN SYSTEMS. ANY REPRODUCTION, IN PART OR WHOLE, WITHOUT THE WRITTEN PERMISSION OF METAL DESIGN SYSTEMS IS PROHIBITED.



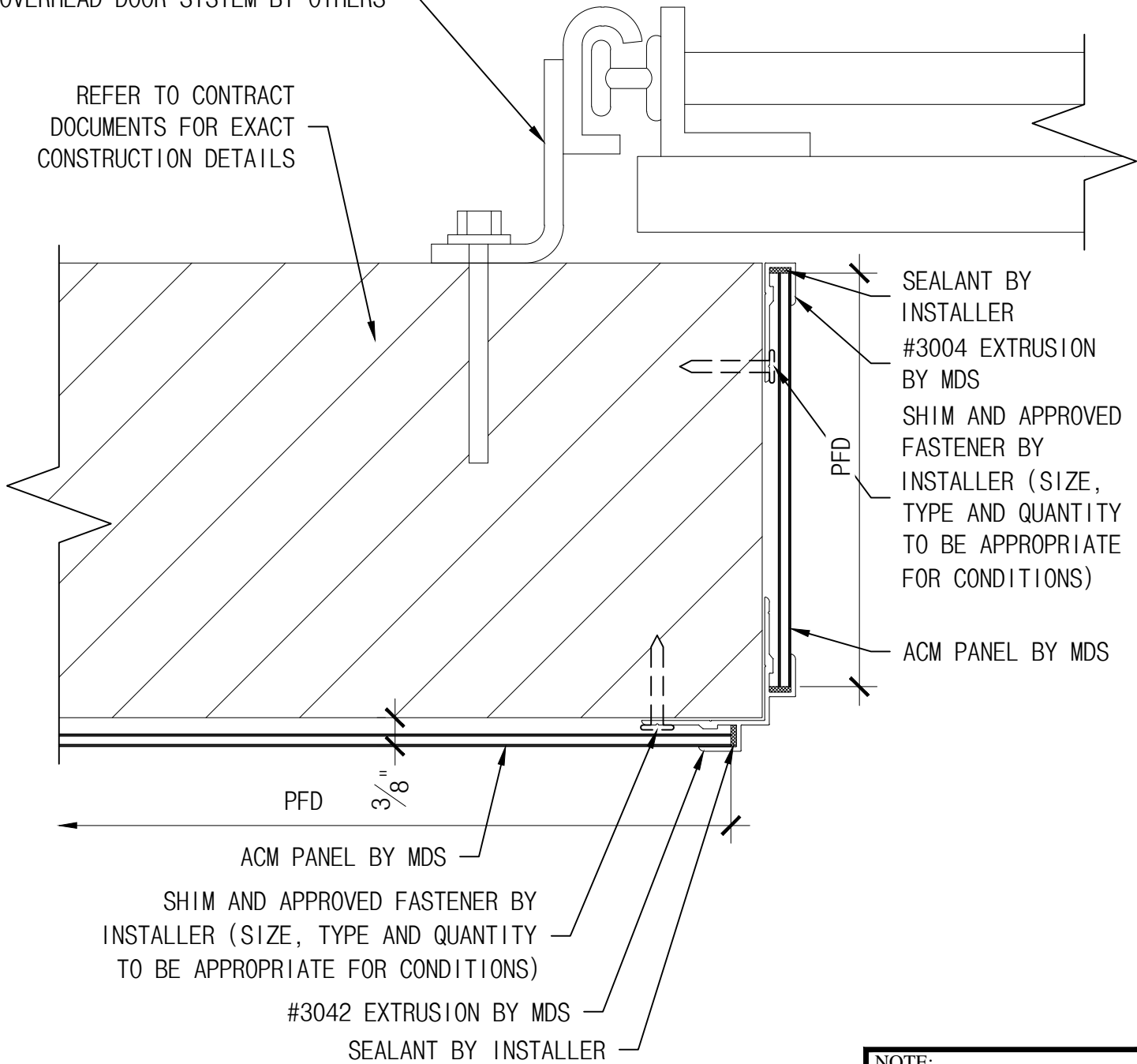
**METAL DESIGN SYSTEMS**  
4150 C Street S.W.  
CEDAR RAPIDS, IA. 52404  
Ph. (319) 362-7454

MATERIAL

PROJECT <b>SERIES 30 DETAILS</b>		
DRAWING DESCRIPTION <b>OVERHEAD DOOR DETAIL (OPTION A)</b>		
PROJECT NUMBER	DRAWING NUMBER <b>S30-ACM-14A</b>	DATE <b>6.02.14</b>
SCALE <b>6" = 1'-0"</b>	DRAWN BY	

OVERHEAD DOOR SYSTEM BY OTHERS

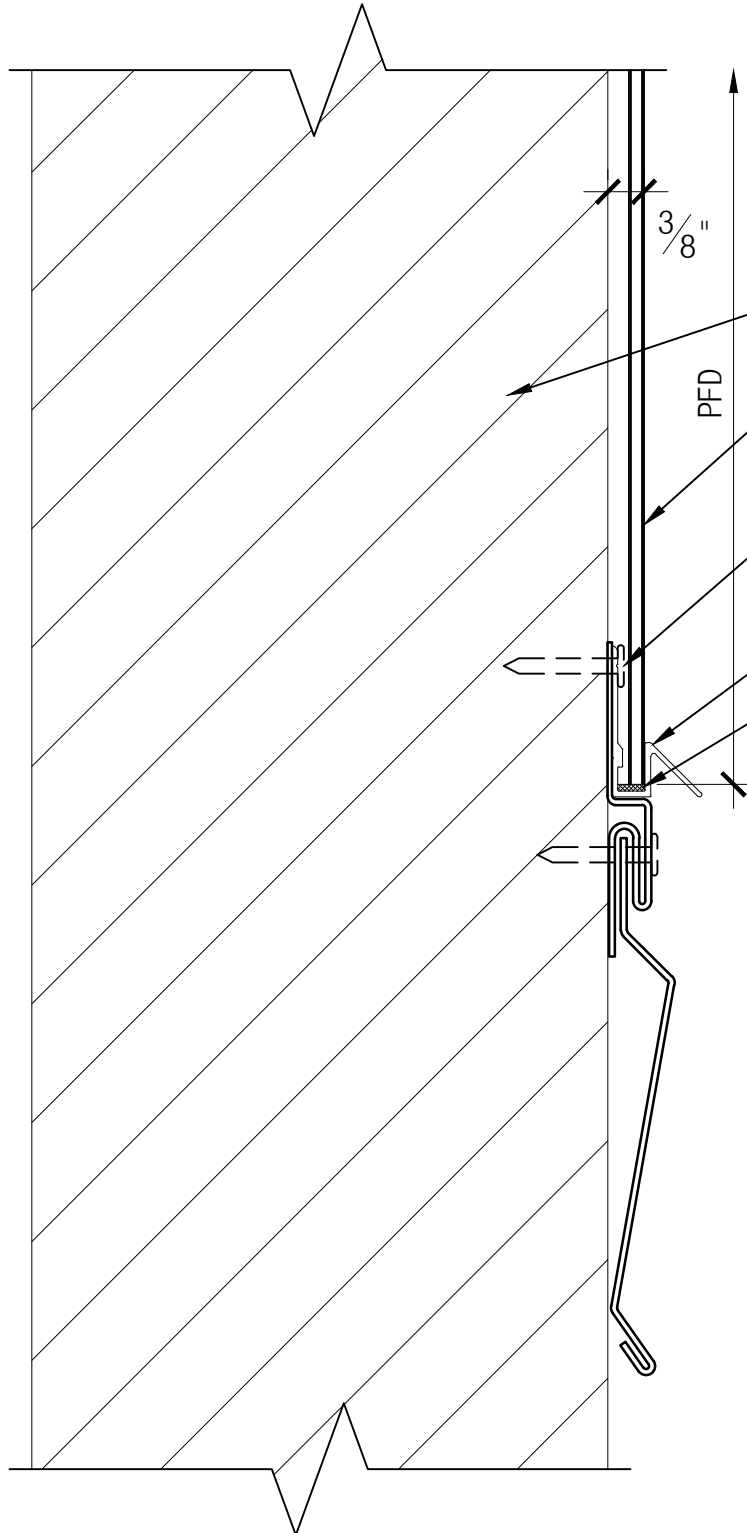
REFER TO CONTRACT DOCUMENTS FOR EXACT CONSTRUCTION DETAILS



**NOTE:**  
AIR/MOISTURE BARRIER  
INSTALLER MUST PROVIDE  
WEATHER TIGHT SEAL AT  
ALL BARRIER TERMINATIONS

<p>THE INFORMATION CONTAINED IN THIS DRAWING IS THE SOLE PROPERTY OF METAL DESIGN SYSTEMS. ANY REPRODUCTION, IN PART OR WHOLE, WITHOUT THE WRITTEN PERMISSION OF METAL DESIGN SYSTEMS IS PROHIBITED.</p>	 <b>METAL DESIGN SYSTEMS</b> <small>DESIGNED FOR A PERFECT FIT.</small>	<b>METAL DESIGN SYSTEMS</b>		PROJECT <b>SERIES 30 DETAILS</b>			
		4150 C Street S.W. CEDAR RAPIDS, IA. 52404 Ph. (319) 362-7454		DRAWING DESCRIPTION <b>OVERHEAD DOOR DETAIL (OPTION B)</b>			
		MATERIAL		PROJECT NUMBER	DRAWING NUMBER <b>S30-ACM-14B</b>	DATE <b>6.02.14</b>	
				SCALE <b>6" = 1'-0"</b>	DRAWN BY		





REFER TO CONTRACT DOCUMENTS  
FOR EXACT CONSTRUCTION DETAILS

ACM PANEL BY MDS

SHIM AND APPROVED FASTENER BY  
INSTALLER (SIZE, TYPE AND  
QUANTITY TO BE APPROPRIATE FOR  
CONDITIONS)

#3004D EXTRUSION BY MDS

SEALANT BY INSTALLER

**NOTE:**  
AIR/MOISTURE BARRIER  
INSTALLER MUST PROVIDE  
WEATHER TIGHT SEAL AT  
ALL BARRIER TERMINATIONS

THE INFORMATION CONTAINED IN THIS  
DRAWING IS THE SOLE PROPERTY OF  
METAL DESIGN SYSTEMS. ANY  
REPRODUCTION, IN PART OR WHOLE,  
WITHOUT THE WRITTEN PERMISSION OF  
METAL DESIGN SYSTEMS IS PROHIBITED.



**METAL DESIGN SYSTEMS**  
4150 C Street S.W.  
CEDAR RAPIDS, IA. 52404  
Ph. (319) 362-7454

PROJECT <b>SERIES 30 DETAILS</b>		
DRAWING DESCRIPTION <b>TERMINATION ABOVE ROOF DETAIL</b>		
PROJECT NUMBER	DRAWING NUMBER <b>S30-ACM-15</b>	DATE <b>6.02.14</b>
MATERIAL	SCALE <b>6" = 1'-0"</b>	DRAWN BY