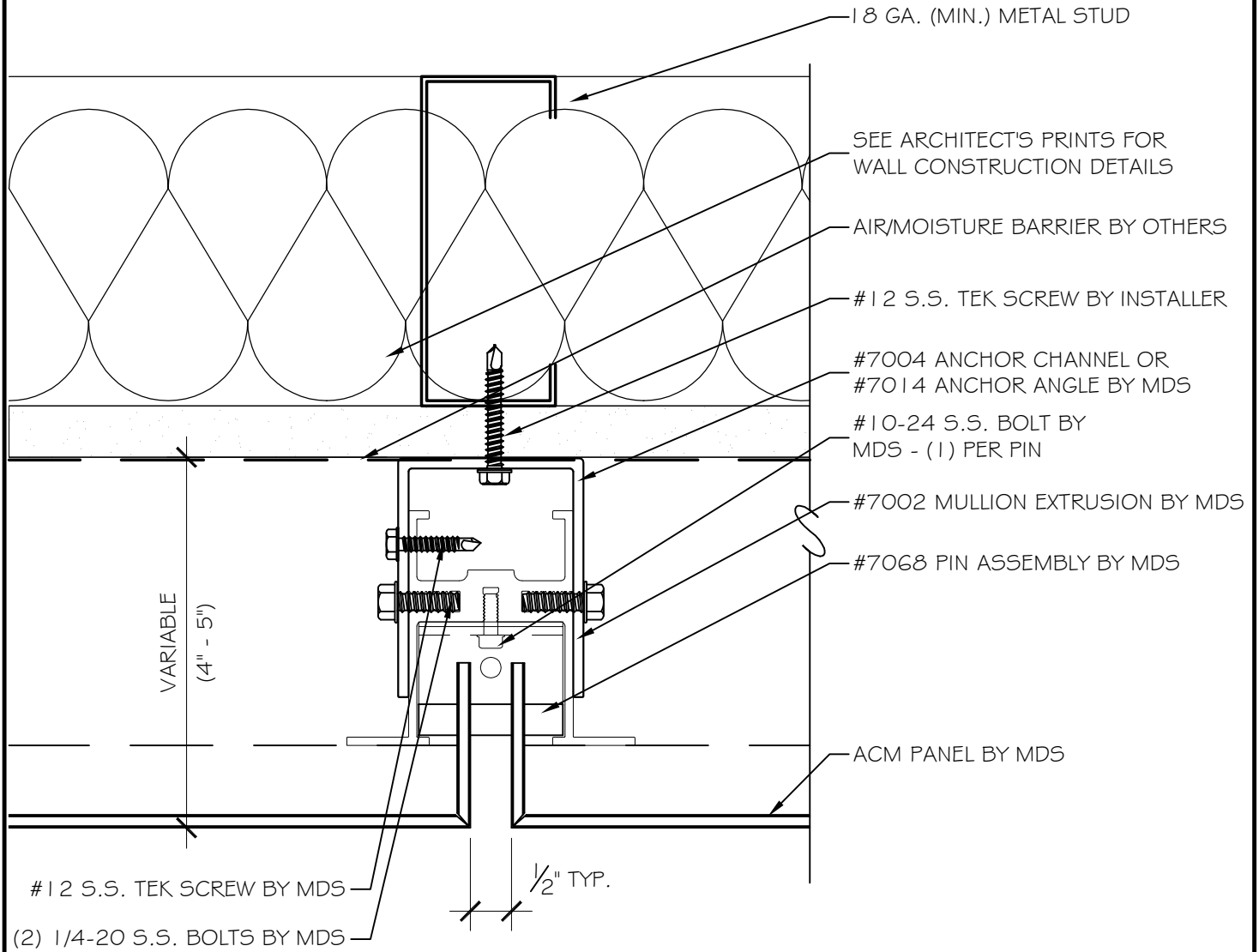


THE INFORMATION CONTAINED IN THIS DRAWING IS THE SOLE PROPERTY OF METAL DESIGN SYSTEMS. ANY REPRODUCTION IN PART OR WHOLE WITHOUT THE WRITTEN PERMISSION OF METAL DESIGN SYSTEMS IS PROHIBITED.



**METAL DESIGN SYSTEMS**

4150 C Street S.W.  
Cedar Rapids, Ia. 52404  
Ph. (319) 362-7454

**METAL DESIGN SYSTEMS**

DESIGNED FOR A PERFECT FIT

PROJECT		MDS SERIES 70 ACM		
DWG. DESCRIPTION				
VERTICAL JOINT DETAIL				
MATERIAL	PROJECT NO.	DWG NO.	REV	
ACM		S70-ACM-03		
FINISH	SCALE	DRAWN BY:	DATE:	VERSION:
AS NOTED	AS NOTED	DJR	10/18/10	701010