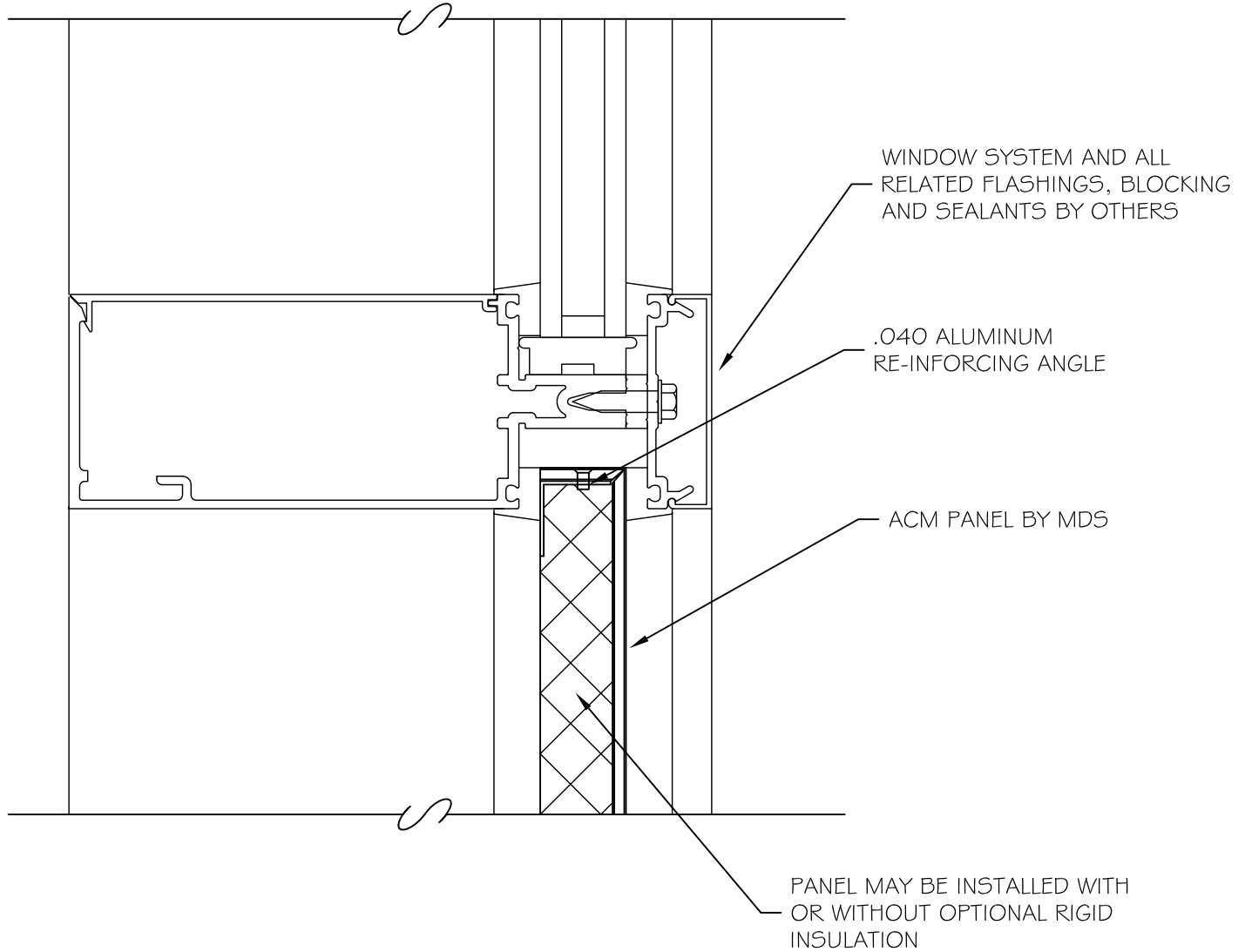


THE INFORMATION CONTAINED IN THIS DRAWING IS THE SOLE PROPERTY OF METAL DESIGN SYSTEMS. ANY REPRODUCTION IN PART OR WHOLE WITHOUT THE WRITTEN PERMISSION OF METAL DESIGN SYSTEMS IS PROHIBITED.



METAL DESIGN SYSTEMS
 4150 C Street S.W.
 Cedar Rapids, Ia. 52404
 Ph. (319) 362-7454

PROJECT		MDS SERIES 40SG ACM W/ GASKET	
DWG. DESCRIPTION		INFILL PANEL DETAIL	
MATERIAL	PROJECT NO.	DWG NO.	REV
FINISH	SCALE	DRAWN BY:	DATE:
	AS NOTED	DJR	2/24/10
			S40-ACM-13