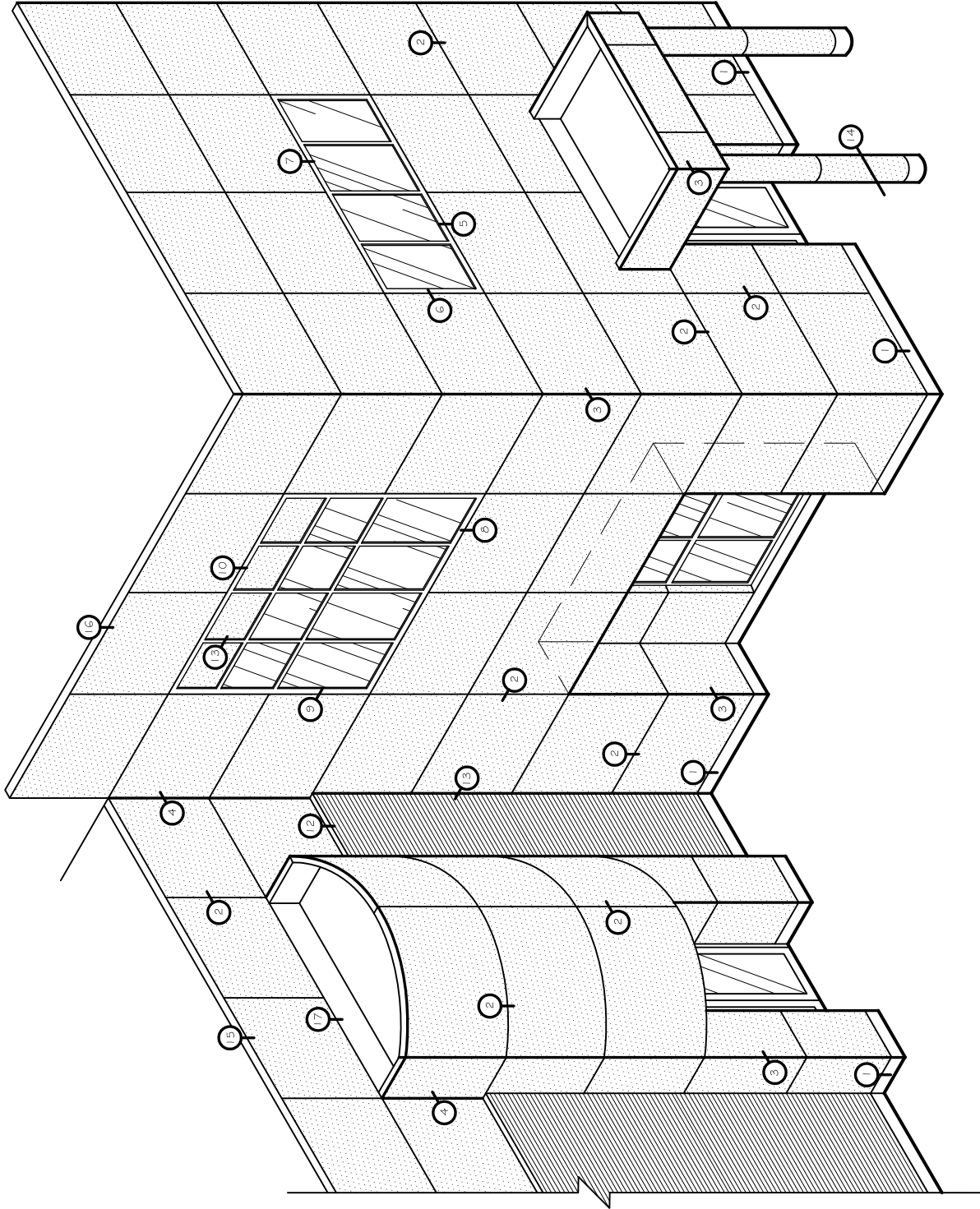


THE INFORMATION CONTAINED IN THIS DRAWING IS THE SOLE PROPERTY OF METAL DESIGN SYSTEMS. ANY REPRODUCTION IN PART OR WHOLE WITHOUT THE WRITTEN PERMISSION OF METAL DESIGN SYSTEMS IS PROHIBITED.



**METAL DESIGN SYSTEMS**

4150 C Street S.W.  
Cedar Rapids, Ia. 52404  
Ph. (319) 362-7454

PROJECT

MDS SERIES 40SG ACM W/ GASKET

DWG. DESCRIPTION

KEY ELEVATION

**METAL DESIGN SYSTEMS**

DESIGNED FOR A PERFECT FIT.

MATERIAL

FINISH

PROJECT NO.

SCALE

AS NOTED

DRAWN BY:

DJR

DWG NO.

S40SG-ACM-KEY

REV

DATE:

2/24/10

