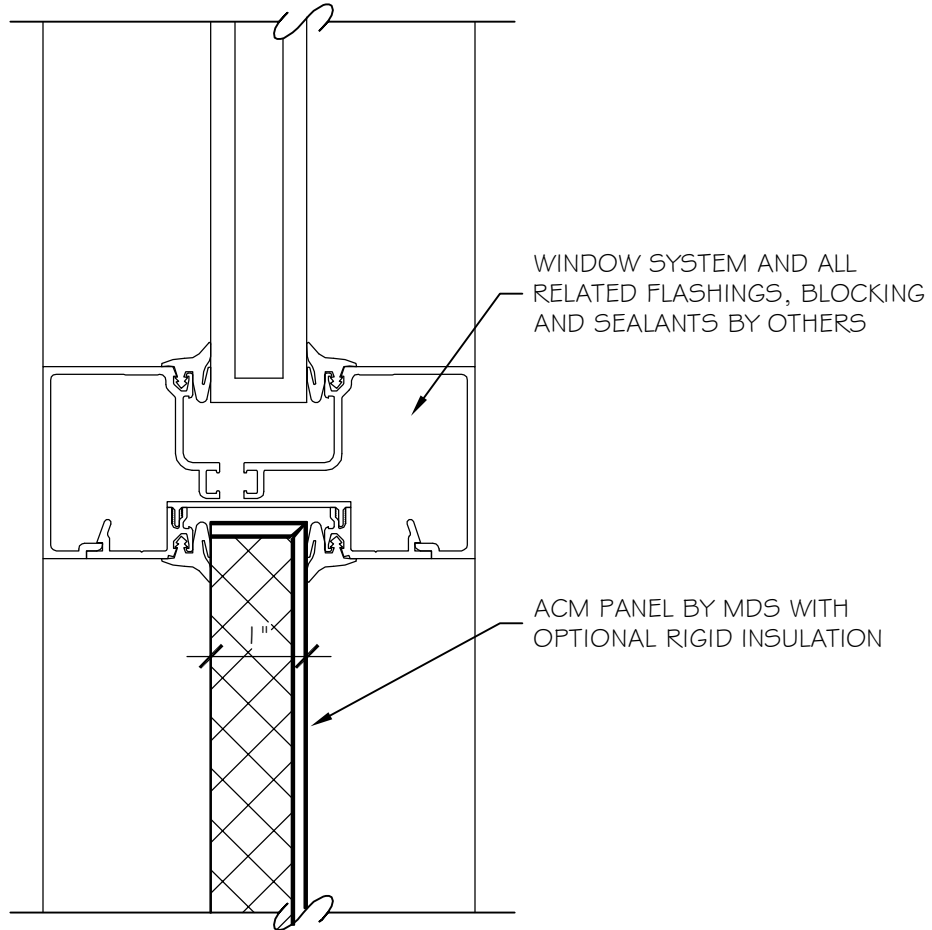


THE INFORMATION CONTAINED IN THIS DRAWING IS THE SOLE PROPERTY OF METAL DESIGN SYSTEMS. ANY REPRODUCTION IN PART OR WHOLE WITHOUT THE WRITTEN PERMISSION OF METAL DESIGN SYSTEMS IS PROHIBITED.



Metal Design Systems, Inc.



Metal Design Systems, Inc.

www.metaldesignsystems.com

sales@crmdsi.com

Ph. (319) 362-7454

PROJECT
MDS SERIES 10 ACM

DWG. DESCRIPTION
INFILL PANEL DETAIL

MATERIAL

PROJECT NO.

DWG NO.

REV

FINISH

SCALE

DRAWN BY:

DATE:

6" = 1'-0"

KMB

3/26/08

S10-ACM-17