

THE INFORMATION CONTAINED IN THIS DRAWING IS THE SOLE PROPERTY OF METAL DESIGN SYSTEMS. ANY REPRODUCTION IN PART OR WHOLE WITHOUT THE WRITTEN PERMISSION OF METAL DESIGN SYSTEMS IS PROHIBITED.

1/2" TREATED PLYWOOD BLOCKING PROVIDE GAPS IN BLOCKING FOR VERTICAL PANEL JOINTS SEE ELEVATIONS

SEALANT BY OTHERS

JOINT LEG BEYOND
ROOF MEMBRANE TO OVERLAP AIR/MOISTURE MEMBRANE

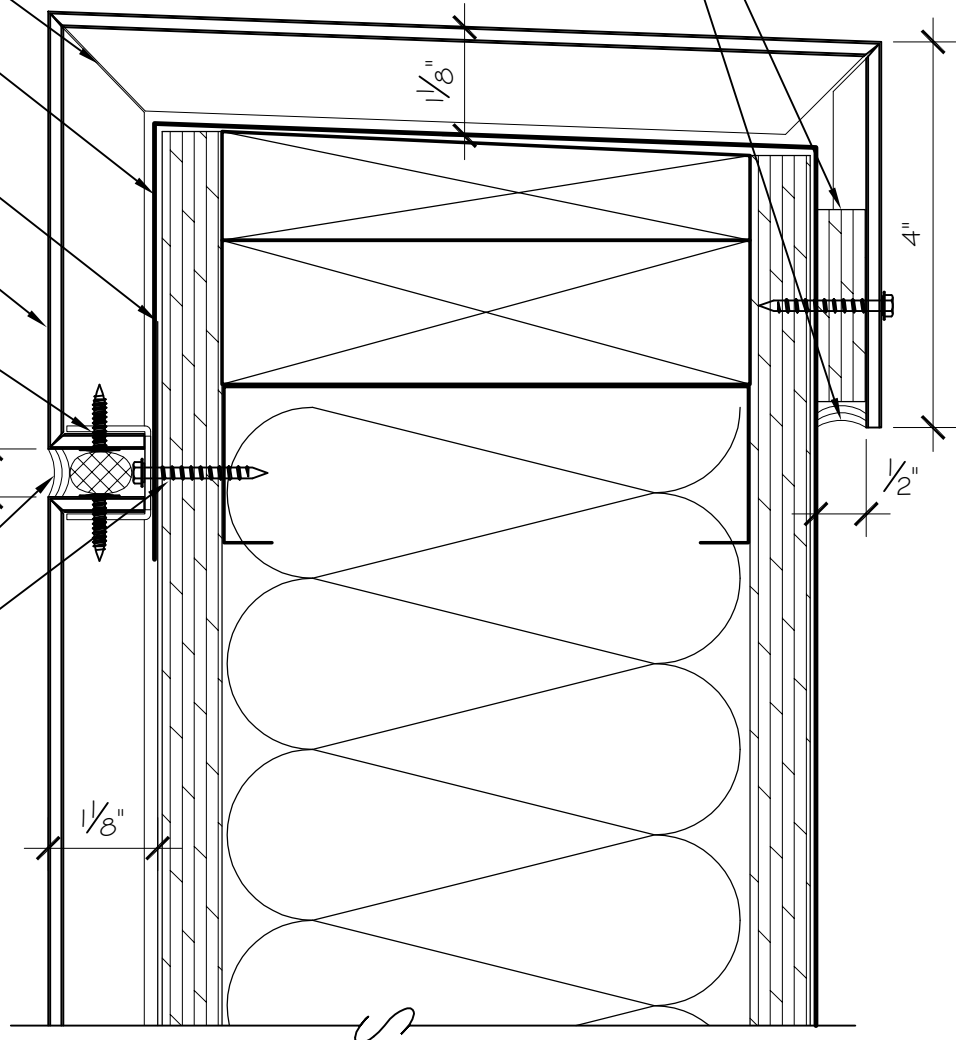
AIR/MOISTURE MEMBRANE OVER EXT. SHEATHING BY OTHERS

SERIES 10 ACM PANEL BY MDS

ATTACHMENT CLIPS AND FASTENERS BY MDS INSTALLED 16" O.C. MAX.

BACKER ROD AND SEALANT BY INSTALLER

WALL FASTENER BY INSTALLER



METAL DESIGN SYSTEMS

4150 C Street S.W.
Cedar Rapids, Ia. 52404
Ph. (319) 362-7454

METAL DESIGN SYSTEMS

DESIGNED FOR A PERFECT FIT™

PROJECT		MDS SERIES 10 ACM		
DWG. DESCRIPTION		ACM COPING DETAIL		
MATERIAL	ACM	PROJECT NO.	DWG NO.	REV
			S10-ACM-15	
FINISH	AS NOTED	SCALE	DRAWN BY:	DATE:
		AS NOTED	DJR	10/11/10
			VERSION:	
			101010	