

THE INFORMATION CONTAINED IN THIS DRAWING IS THE SOLE PROPERTY OF METAL DESIGN SYSTEMS. ANY REPRODUCTION IN PART OR WHOLE WITHOUT THE WRITTEN PERMISSION OF METAL DESIGN SYSTEMS IS PROHIBITED.

CURTAIN WALL SYSTEM AND ALL RELATED FLASHINGS, BLOCKING AND SEALANT BY OTHERS

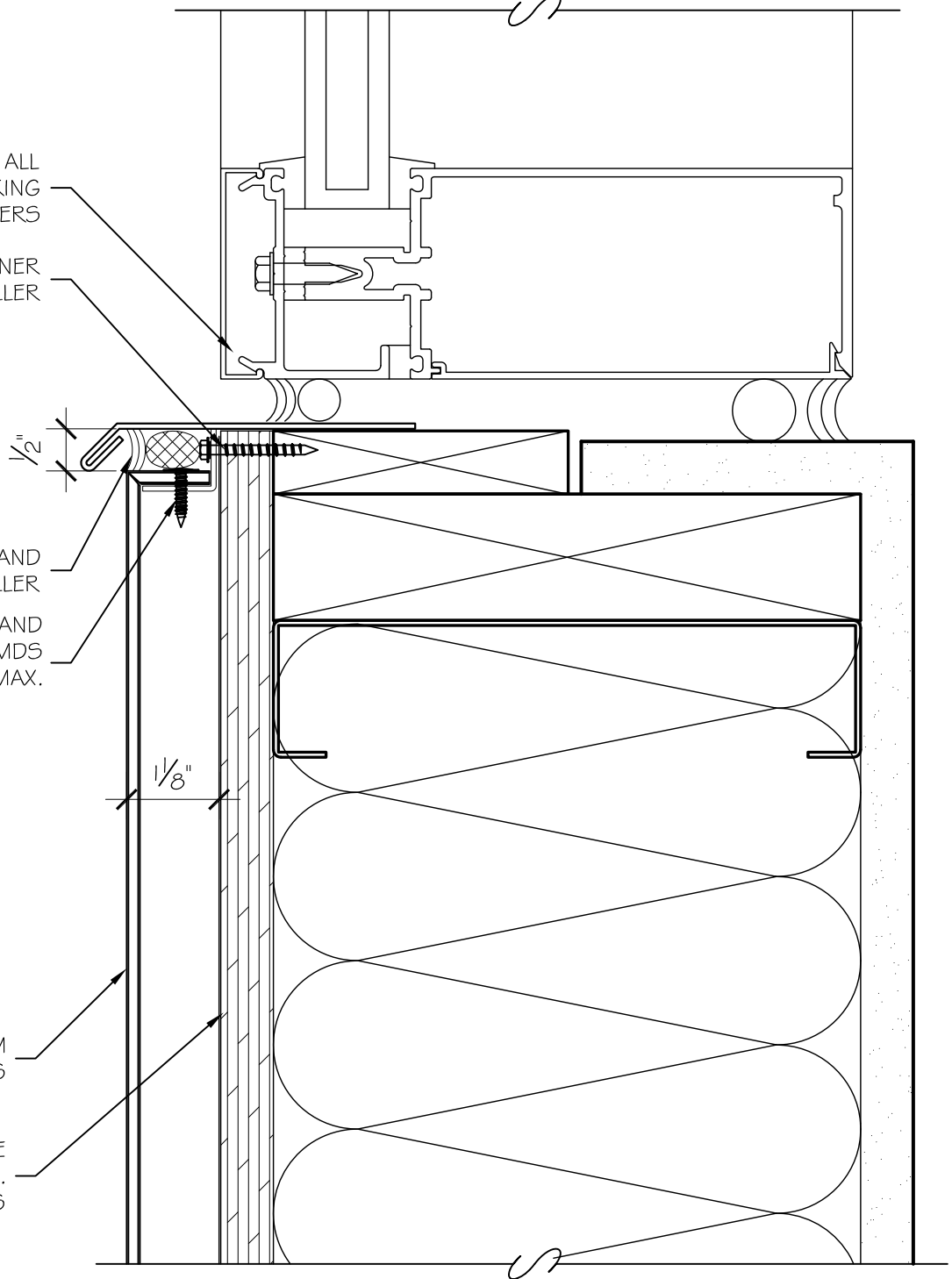
WALL FASTENER BY INSTALLER

BACKER ROD AND SEALANT BY INSTALLER

ATTACHMENT CLIPS AND FASTENERS BY MDS INSTALLED 16" O.C. MAX.

SERIES 10 ACM PANEL BY MDS

AIR/MOISTURE MEMBRANE OVER EXT. SHEATHING BY OTHERS



**METAL DESIGN SYSTEMS**

4150 C Street S.W.  
Cedar Rapids, Ia. 52404  
Ph. (319) 362-7454

PROJECT  
MDS SERIES 10 ACM

DWG. DESCRIPTION  
SILL DETAIL-CURTAIN WALL SYSTEM

**METAL DESIGN SYSTEMS**

DESIGNED FOR A PERFECT FIT.

MATERIAL  
ACM

FINISH  
AS NOTED

PROJECT NO.

SCALE  
AS NOTED

DWG NO.  
S10-ACM-09

DRAWN BY:  
DJR

DATE:  
2/24/10

REV