

THE INFORMATION CONTAINED IN THIS DRAWING IS THE SOLE PROPERTY OF METAL DESIGN SYSTEMS. ANY REPRODUCTION IN PART OR WHOLE WITHOUT THE WRITTEN PERMISSION OF METAL DESIGN SYSTEMS IS PROHIBITED.

AIR/MOISTURE MEMBRANE OVER EXT. SHEATHING BY OTHERS

SERIES 10 ACM PANEL BY MDS

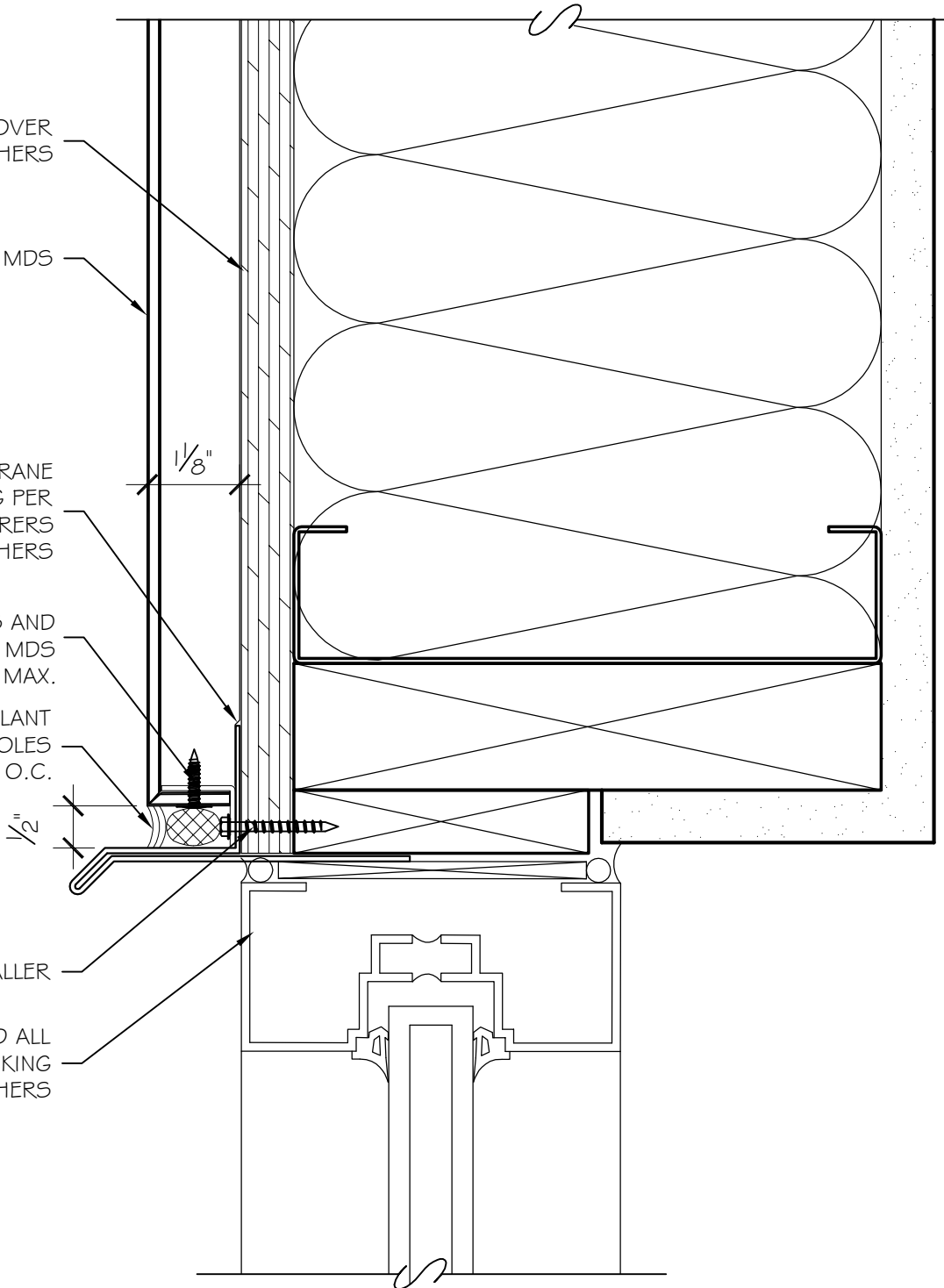
AIR/MOISTURE MEMBRANE TO OVERLAP FLASHING PER MANUFACTURERS SPECIFICATIONS BY OTHERS

ATTACHMENT CLIPS AND FASTENERS BY MDS INSTALLED 16" O.C. MAX.

BACKER ROD AND SEALANT BY INSTALLER WEEP HOLES OR WICKS @ 60" O.C.

WALL FASTENER BY INSTALLER

STOREFRONT SYSTEM AND ALL RELATED FLASHINGS, BLOCKING AND SEALANTS BY OTHERS



**METAL DESIGN SYSTEMS**

4150 C Street S.W.  
Cedar Rapids, Ia. 52404  
Ph. (319) 362-7454

**METAL DESIGN SYSTEMS**

DESIGNED FOR A PERFECT FIT.

PROJECT

MDS SERIES 10 ACM

DWG. DESCRIPTION

HEAD DETAIL-STOREFRONT SYSTEM

MATERIAL

ACM

PROJECT NO.

DWG NO.

S10-ACM-08

REV

FINISH

AS NOTED

SCALE

AS NOTED

DRAWN BY:

DJR

DATE:

10/11/10

VERSION:

101010