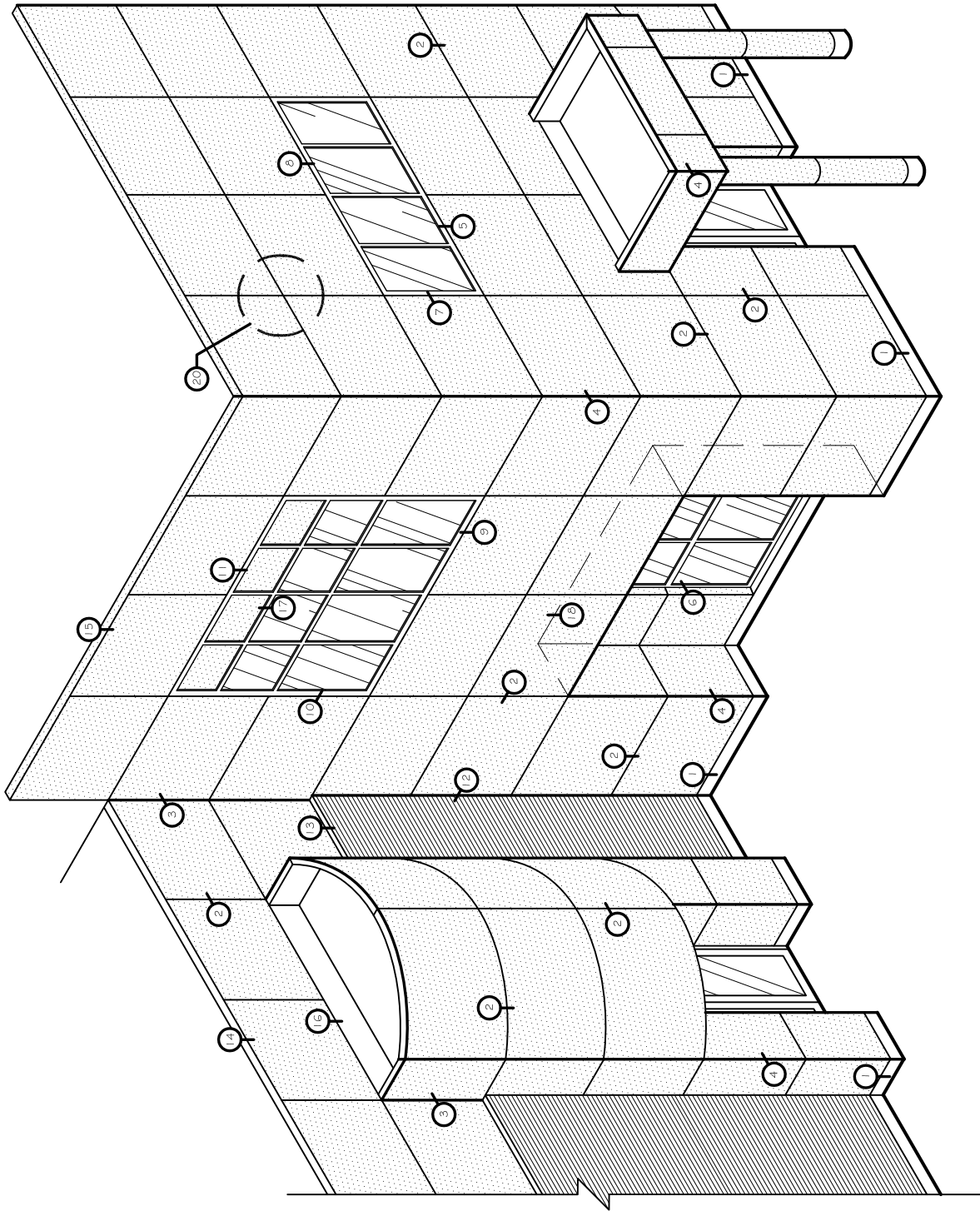


THE INFORMATION CONTAINED IN THIS DRAWING IS THE SOLE PROPERTY OF METAL DESIGN SYSTEMS. ANY REPRODUCTION IN PART OR WHOLE WITHOUT THE WRITTEN PERMISSION OF METAL DESIGN SYSTEMS IS PROHIBITED.



METAL DESIGN SYSTEMS

4150 C Street S.W.
Cedar Rapids, Ia. 52404
Ph. (319) 362-7454

METAL DESIGN SYSTEMS

DESIGNED FOR A PERFECT FIT.

PROJECT		MDS SERIES 10 ACM		
DWG. DESCRIPTION				
KEY ELEVATION				
MATERIAL	ACM	PROJECT NO.	DWG NO.	REV
FINISH	AS NOTED	SCALE	DRAWN BY:	DATE:
		AS NOTED	DJR	2/24/10
				S10-ACM-KEY